

## 4.35 Düsenstift

### Produktinformationen

#### Eigenschaften

- Edelstahl

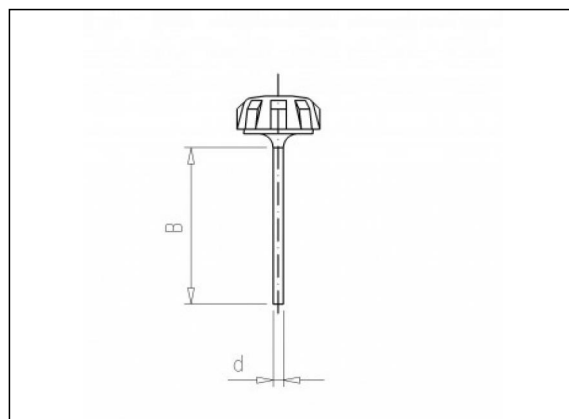
#### Herstellung

- Spritzguss

### Zubehör



4.35 Stiftdüse



### Verfügbare Artikel

ART.CODE	d	B	Radius	Loose ring	Verp
4.35.201	1.5	23	360°	brown	1000
4.35.202	1.5	23	360°	green	1000
4.35.203	1.5	23	360°	grey	1000
4.35.204	1.5	23	360°	blue	1000
4.35.205	1.5	23	360°	red	1000
4.35.206	1.5	23	360°	orange	1000
4.35.207	1.5	23	360°	black	1000
4.35.208	1.5	23	360°	violet	1000

#### Van de Lande BV

Lissenveld 1 \ 4941 VK Raamsdonksveer \ The Netherlands \ t +31 (0)162 51 60 00 \ f +31 (0)162 52 14 17 \ sales@vandelande.com  
Traderegister Tilburg: 18070844 \ IBAN: NL13 RABO 0143 0035 26 \ BIC: RABONL2U \ VAT: NL 8123.91.755.B01

All our transactions are subject to the Van de Lande General Terms of Sale. A copy of these can be provided immediately upon your request.

ART.CODE	d	B	Radiu s	Loose ring	Verp
4.35.210	1.5	23	180°	black	500

**Van de Lande BV**

Lissenveld 1 \ 4941 VK Raamsdonksveer \ The Netherlands \ t +31 (0)162 51 60 00 \ f +31 (0)162 52 14 17 \ sales@vandelande.com  
Traderegister Tilburg: 18070844 \ IBAN: NL13 RABO 0143 0035 26 \ BIC: RABONL2U \ VAT: NL 8123.91.755.B01

All our transactions are subject to the Van de Lande General Terms of Sale. A copy of these can be provided immediately upon your request.