

## 4.35 Stiftdüse

### Produktinformationen

#### Eigenschaften

- Rohr Aussengewinde
- Edelstahl

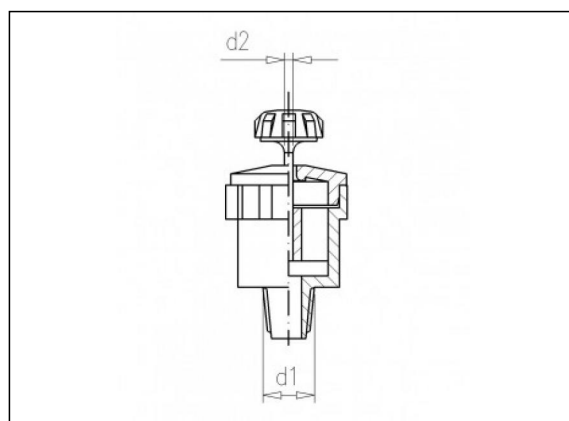
#### Herstellung

- Spritzguss

### Zubehör



4.35 Düsenstift



### Verfügbare Artikel

ART.CODE	Description	d1	d2	Loose ring	Verp n
4.35.111	brown/bru in/br un/br un/m arrón	M11	2.55	brown	1500 (15x100)
4.35.112	green/ groen/grü n/vert/ver de	M11	2.65	green	1500 (15x100)

#### Van de Lande BV

Lissenveld 1 \ 4941 VK Raamsdonksveer \ The Netherlands \ t +31 (0)162 51 60 00 \ f +31 (0)162 52 14 17 \ sales@vandelande.com  
 Traderegister Tilburg: 18070844 \ IBAN: NL13 RABO 0143 0035 26 \ BIC: RABONL2U \ VAT: NL 8123.91.755.B01

ART.CODE	Descr iption	d1	d2	Loose ring	Verp ring
4.35.113	grey/ grijs/ grau/ gris/g ris	M11	2.75	grey	1500 (15x1 00)
4.35.114	blue/ blau w/bla u/ble u/azu l	M11	2.85	blue	1500 (15x1 00)
4.35.115	red/r ood/r ot/ro uge/r ojo	M11	2.95	red	1500 (15x1 00)
4.35.116	orang e/ora nje/o range /oran ge/na ranja	M11	3.05	orang e	1500 (15x1 00)
4.35.117	black /zwar t/sch warz/ noir/ negro	M11	3.25	black	1500 (15x1 00)
4.35.118	violet /paar s/viol ett/vi olet/v ioleta	M11	3.45	violet	1500 (15x1 00)
4.35.381	brow n/bru in/bra un/br un/m arrón	WW3 /8"	2.55	brow n	1500 (15x1 00)
4.35.382	green /groe n/grü n/ver t/ver de	WW3 /8"	2.65	green	1500 (15x1 00)

**Van de Lande BV**

Lissenveld 1 \ 4941 VK Raamsdonksveer \ The Netherlands \ t +31 (0)162 51 60 00 \ f +31 (0)162 52 14 17 \ sales@vandelande.com  
 Traderegister Tilburg: 18070844 \ IBAN: NL13 RABO 0143 0035 26 \ BIC: RABONL2U \ VAT: NL 8123.91.755.B01

[www.vandelande.com](http://www.vandelande.com)

All our transactions are subject to the Van de Lande General Terms of Sale. A copy of these can be provided immediately upon your request.

ART.CODE	Descr iption	d1	d2	Loose ring	Verp ring
4.35.383	grey/ grijs/ grau/ gris/g ris	WW3 /8"	2.75	grey	1500 (15x1 00)
4.35.384	blue/ blau w/bla u/ble u/azu l	WW3 /8"	2.85	blue	1500 (15x1 00)
4.35.385	red/r ood/r ot/ro uge/r ojo	WW3 /8"	2.95	red	1500 (15x1 00)
4.35.386	orang e/ora nje/o range /oran ge/na ranja	WW3 /8"	3.05	orang e	1500 (15x1 00)
4.35.387	black /zwar t/sch warz/ noir/ negro	WW3 /8"	3.25	black	1500 (15x1 00)
4.35.388	violet /paar s/viol ett/vi olet/v ioleta	WW3 /8"	3.45	violet	1500 (15x1 00)

**Van de Lande BV**

Lissenveld 1 \ 4941 VK Raamsdonksveer \ The Netherlands \ t +31 (0)162 51 60 00 \ f +31 (0)162 52 14 17 \ sales@vandelande.com  
 Traderegister Tilburg: 18070844 \ IBAN: NL13 RABO 0143 0035 26 \ BIC: RABONL2U \ VAT: NL 8123.91.755.B01

[www.vandelande.com](http://www.vandelande.com)

All our transactions are subject to the Van de Lande General Terms of Sale. A copy of these can be provided immediately upon your request.