

4.40 Reduzierrohr

Produktinformationen

Eigenschaften

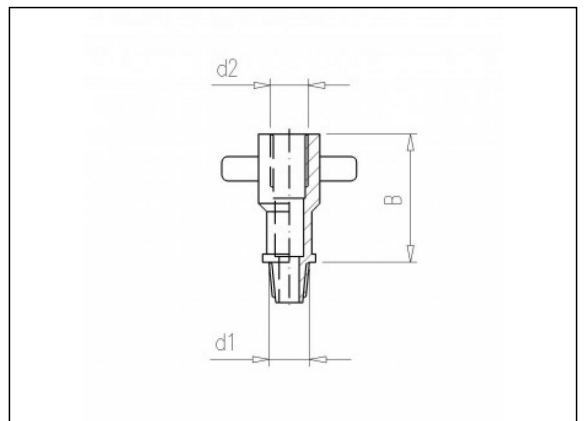
- Rohr Aussengewinde
- Rohr Innengewinde

Material

- PA6

Herstellung

- Spritzguss



Verfügbare Artikel

ART.CODE	d1	d2	Description	B	Verp
4.40.050	M11	WW3 /8"	grey/ grijs/ grau/ gris/g ris	30	500

Van de Lande BV

Lissenveld 1 \ 4941 VK Raamsdonksveer \ The Netherlands \ t +31 (0)162 51 60 00 \ f +31 (0)162 52 14 17 \ sales@vandelande.com
Traderegister Tilburg: 18070844 \ IBAN: NL13 RABO 0143 0035 26 \ BIC: RABONL2U \ VAT: NL 8123.91.755.B01

All our transactions are subject to the Van de Lande General Terms of Sale. A copy of these can be provided immediately upon your request.