

4.50 Düse Rückschlagventil

Produktinformationen

Eigenschaften

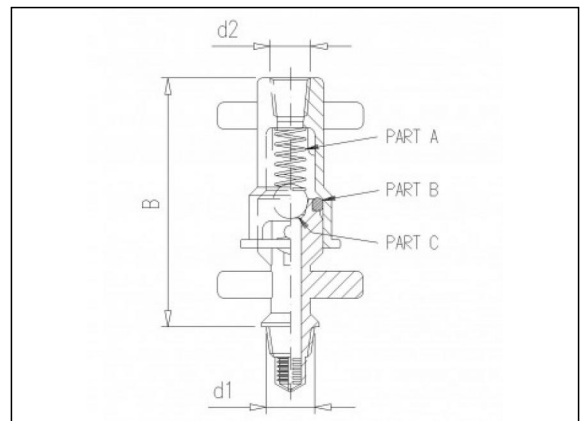
- Rohr Aussengewinde

Material

- PP = Polypropylen

Herstellung

- Spritzguss



Verfügbare Artikel

ART.CODE	d	d2	B	Onde rdeel	Verp
4.50.020				B	1000 (4x250)
4.50.050	WW3 /8"	WW3 /8"	57		1000 (4x250)
4.50.051	M11	WW3 /8"	57		1000 (4x250)
4.50.052	M11	M11	57		1000 (4x250)

Van de Lande BV

Lissenveld 1 \ 4941 VK Raamsdonksveer \ The Netherlands \ t +31 (0)162 51 60 00 \ f +31 (0)162 52 14 17 \ sales@vandelande.com
 Traderegister Tilburg: 18070844 \ IBAN: NL13 RABO 0143 0035 26 \ BIC: RABONL2U \ VAT: NL 8123.91.755.B01

ART.CODE	d	d2	B	Onde rdeel	Verp rdeel
4.50.065				A	1000 (4x25 0)
4.50.070				C	1000 (4x25 0)

Van de Lande BV

Lissenveld 1 \ 4941 VK Raamsdonksveer \ The Netherlands \ t +31 (0)162 51 60 00 \ f +31 (0)162 52 14 17 \ sales@vandelande.com
Traderegister Tilburg: 18070844 \ IBAN: NL13 RABO 0143 0035 26 \ BIC: RABONL2U \ VAT: NL 8123.91.755.B01

All our transactions are subject to the Van de Lande General Terms of Sale. A copy of these can be provided immediately upon your request.