

7.12 PE T-Stück

Produktinformationen

Eigenschaften

- Rohr Aussengewinde

Material

- PP = Polypropylen

Dichtungen

- EPDM

Herstellung

- Spritzguss



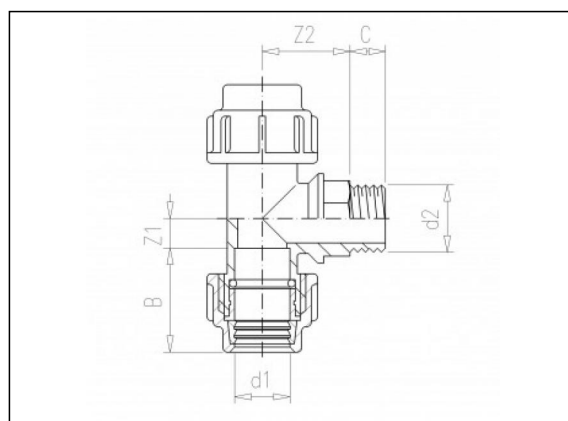
Zubehör



8.06 O-Ring

7.42 PE Übermutter

7.44 Klemmring



Verfügbare Artikel

| ART.CODE | d1 | d2 | Z1 | Z2 | B | C | PN | Verp |
|-----------|----|----------|----|----|----|----|----|------|
| 7.12.016* | 16 | 3/8" (M) | 10 | 34 | 42 | 13 | 16 | 100 |
| 7.12.017* | 16 | 1/2" (M) | 10 | 34 | 42 | 17 | 16 | 100 |
| 7.12.020* | 20 | 1/2" (M) | 12 | 34 | 47 | 17 | 16 | 100 |
| 7.12.021* | 20 | 3/4" (M) | 12 | 34 | 47 | 18 | 16 | 100 |
| 7.12.024* | 25 | 1/2" (M) | 14 | 37 | 51 | 16 | 16 | 75 |

Van de Lande BV

Lissenveld 1 \ 4941 VK Raamsdonksveer \ The Netherlands \ t +31 (0)162 51 60 00 \ f +31 (0)162 52 14 17 \ sales@vandelande.com
 Traderegister Tilburg: 18070844 \ IBAN: NL13 RABO 0143 0035 26 \ BIC: RABONL2U \ VAT: NL 8123.91.755.B01

| ART.CODE | d1 | d2 | Z1 | Z2 | B | C | PN | Verp |
|-----------|----|------------------|----|----|-----|----|----|------|
| 7.12.025* | 25 | 3/4" (M) | 14 | 38 | 51 | 18 | 16 | 75 |
| 7.12.026* | 25 | 1" (M) | 14 | 38 | 51 | 21 | 16 | 75 |
| 7.12.032* | 32 | 1" (M) | 18 | 44 | 57 | 21 | 16 | 50 |
| 7.12.033* | 32 | 1 1/4" (M) | 18 | 44 | 57 | 23 | 16 | 50 |
| 7.12.040* | 40 | 1 1/4" (M) | 21 | 48 | 62 | 23 | 16 | 40 |
| 7.12.041* | 40 | 1 1/2" (M) | 21 | 49 | 62 | 23 | 16 | 40 |
| 7.12.051 | 50 | 2" (M) | 28 | 50 | 95 | 30 | 16 | 10 |
| 7.12.062 | 63 | 1 1/2" (M) | 40 | 60 | 102 | 24 | 16 | 6 |
| 7.12.063 | 63 | 2" (M) | 40 | 60 | 102 | 29 | 16 | 6 |
| 7.12.074 | 75 | 2" (M) | 40 | 72 | 122 | 29 | 10 | 4 |
| 7.12.075 | 75 | 2 1/2" (M) | 40 | 72 | 122 | 31 | 10 | 4 |
| 7.12.076 | 75 | 3" (M) | 40 | 72 | 122 | 32 | 10 | 4 |

Van de Lande BV

Lispenveld 1 \ 4941 VK Raamsdonksveer \ The Netherlands \ t +31 (0)162 51 60 00 \ f +31 (0)162 52 14 17 \ sales@vandelande.com
 Traderegister Tilburg: 18070844 \ IBAN: NL13 RABO 0143 0035 26 \ BIC: RABONL2U \ VAT: NL 8123.91.755.B01

www.vandelande.com

All our transactions are subject to the Van de Lande General Terms of Sale. A copy of these can be provided immediately upon your request.