

7.22 PE Winkel

Produktinformationen

Eigenschaften

- Rohr Aussengewinde

Material

- PP = Polypropylen

Dichtungen

- EPDM

Herstellung

- Spritzguss



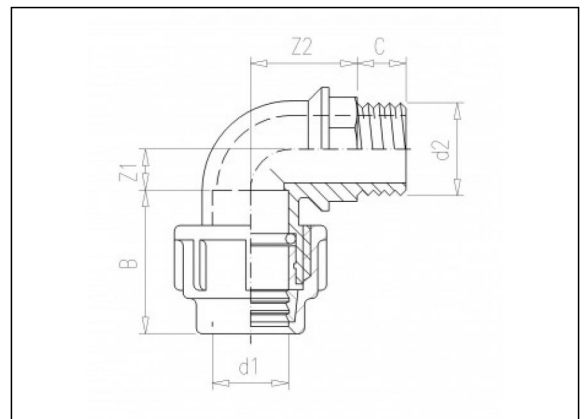
Zubehör



8.06 O-Ring

7.42 PE Überwurfmutter

7.44 Klemmring



Verfügbare Artikel

ART.CODE	d1	d2	Z1	Z2	B	C	PN	Verp
7.22.016*	16	3/8" (M)	10	37	42	11	16	150
7.22.017*	16	1/2" (M)	10	32	42	17	16	150
7.22.020*	20	1/2" (M)	11	34	47	17	16	150
7.22.021*	20	3/4" (M)	11	33	47	19	16	150
7.22.024*	25	1/2" (M)	14	37	51	16	16	100

Van de Lande BV

Lissenveld 1 \ 4941 VK Raamsdonksveer \ The Netherlands \ t +31 (0)162 51 60 00 \ f +31 (0)162 52 14 17 \ sales@vandelande.com
 Traderegister Tilburg: 18070844 \ IBAN: NL13 RABO 0143 0035 26 \ BIC: RABONL2U \ VAT: NL 8123.91.755.B01

ART.CODE	d1	d2	Z1	Z2	B	C	PN	Verp
7.22.025*	25	3/4" (M)	14	37	51	18	16	100
7.22.026*	25	1" (M)	14	37	51	21	16	100
7.22.032*	32	1" (M)	18	42	57	21	16	50
7.22.033*	32	1 1/4" (M)	18	42	57	23	16	50
7.22.040*	40	1 1/4" (M)	21	47	62	23	16	50
7.22.041*	40	1 1/2" (M)	21	47	62	23	16	50
7.22.050	50	1 1/2" (M)	29	59	92	25	16	18
7.22.051	50	2" (M)	35	59	92	27	16	18
7.22.063	63	2" (M)	46	76	105	30	16	10
7.22.074	75	2" (M)	38	77	123	26	10	6
7.22.075	75	2 1/2" (M)	38	77	123	33	10	6
7.22.076	75	3" (M)	38	77	123	32	10	6

Van de Lande BV

Lissenveld 1 \ 4941 VK Raamsdonksveer \ The Netherlands \ t +31 (0)162 51 60 00 \ f +31 (0)162 52 14 17 \ sales@vandelande.com
 Traderegister Tilburg: 18070844 \ IBAN: NL13 RABO 0143 0035 26 \ BIC: RABONL2U \ VAT: NL 8123.91.755.B01

www.vandelande.com

All our transactions are subject to the Van de Lande General Terms of Sale. A copy of these can be provided immediately upon your request.