

# 7.24 PE Winkel

## Produktinformationen

### Eigenschaften

- Geradem Rohr Aussengewinde

### Material

- PP = Polypropylen

### Dichtungen

- EPDM

### Herstellung

- Spritzguss



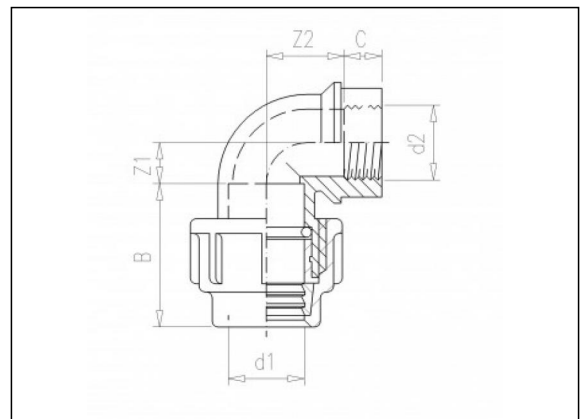
## Zubehör



8.06 O-Ring

7.42 PE Überwurfmutter

7.44 Klemmring



## Verfügbare Artikel

ART.CODE	d1	d2	Z1	Z2	B	C	PN	Verp
7.24.016	16	3/8" (F)	10	30	42	17	10	150
7.24.017	16	1/2" (F)	10	21	42	17	10	150
7.24.020	20	1/2" (F)	12	31	47	16	10	150
7.24.021	20	3/4" (F)	12	31	47	17	10	150
7.24.024	25	1/2" (F)	14	31	51	16	10	100

### Van de Lande BV

Lissenveld 1 \ 4941 VK Raamsdonksveer \ The Netherlands \ t +31 (0)162 51 60 00 \ f +31 (0)162 52 14 17 \ sales@vandelande.com  
 Traderegister Tilburg: 18070844 \ IBAN: NL13 RABO 0143 0035 26 \ BIC: RABONL2U \ VAT: NL 8123.91.755.B01

ART.CODE	d1	d2	Z1	Z2	B	C	PN	Verp
7.24.025	25	3/4" (F)	14	31	51	17	10	100
7.24.026	25	1" (F)	14	32	51	21	10	100
7.24.032	32	1" (F)	17	35	58	21	10	50
7.24.033	32	1 1/4" (F)	17	36	58	23	10	50
7.24.040	40	1 1/4" (F)	21	35	62	23	10	50
7.24.041	40	1 1/2" (F)	21	43	62	23	10	50

**Van de Lande BV**

Lissenveld 1 \ 4941 VK Raamsdonksveer \ The Netherlands \ t +31 (0)162 51 60 00 \ f +31 (0)162 52 14 17 \ sales@vandelande.com  
Traderegister Tilburg: 18070844 \ IBAN: NL13 RABO 0143 0035 26 \ BIC: RABONL2U \ VAT: NL 8123.91.755.B01

[www.vandelande.com](http://www.vandelande.com)

All our transactions are subject to the Van de Lande General Terms of Sale. A copy of these can be provided immediately upon your request.