

7.25 PE Winkel

Produktinformationen

Eigenschaften

- Geradem Rohr Aussengewinde
- Edelstahl verstärkungsring

Material

- PP = Polypropylen

Dichtungen

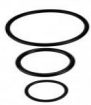
- EPDM

Herstellung

- Spritzguss



Zubehör



8.06 O-Ring



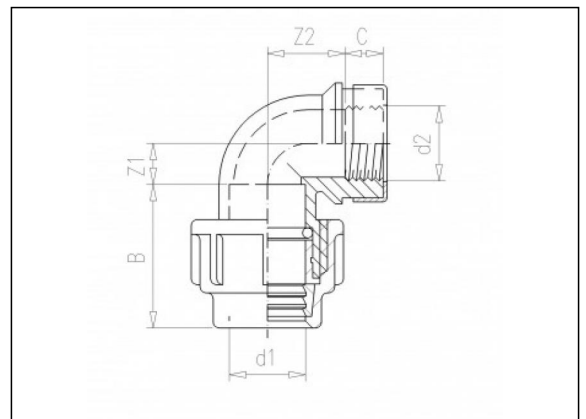
7.42 PE Überwurfmutter



7.44 Klemmring



8.12 RVS Verstärkungsring



Verfügbare Artikel

ART.CODE	d1	d2	Z1	Z2	B	C	PN	Verp
7.24.049	50	1 1/4" (F)	36	55	98	31	10	18
7.24.050	50	1 1/2" (F)	36	60	98	26	16	18
7.24.051	50	2" (F)	36	60	98	26	16	18
7.24.062	63	1 1/2" (F)	45	80	110	26	16	10
7.24.063	63	2" (F)	45	75	110	31	16	10

Van de Lande BV

Lissenveld 1 \ 4941 VK Raamsdonksveer \ The Netherlands \ t +31 (0)162 51 60 00 \ f +31 (0)162 52 14 17 \ sales@vandelande.com
 Traderegister Tilburg: 18070844 \ IBAN: NL13 RABO 0143 0035 26 \ BIC: RABONL2U \ VAT: NL 8123.91.755.B01

ART.CODE	d1	d2	Z1	Z2	B	C	PN	Verp
7.24.074	75	2" (F)	38	75	124	34	10	6
7.24.075	75	2 1/2" (F)	38	75	124	31	10	6
7.24.076	75	3" (F)	38	78	124	34	10	6
7.25.016*	16	3/8" (F)	12	25	42	11	16	150
7.25.017*	16	1/2" (F)	10	23	42	16	16	150
7.25.020*	20	1/2" (F)	11	29	47	16	16	150
7.25.021*	20	3/4" (F)	11	29	47	17	16	150
7.25.024*	25	1/2" (F)	14	31	51	17	16	100
7.25.025*	25	3/4" (F)	14	36	51	17	16	100
7.25.026*	25	1" (F)	14	36	51	21	16	100
7.25.032*	32	1" (F)	18	40	57	21	16	50
7.25.033*	32	1 1/4" (F)	18	40	57	23	16	50
7.25.040*	40	1 1/4" (F)	21	45	62	23	16	50
7.25.041*	40	1 1/2" (F)	21	45	62	25	16	50

Van de Lande BV

Lissenveld 1 \ 4941 VK Raamsdonksveer \ The Netherlands \ t +31 (0)162 51 60 00 \ f +31 (0)162 52 14 17 \ sales@vandelande.com
 Traderegister Tilburg: 18070844 \ IBAN: NL13 RABO 0143 0035 26 \ BIC: RABONL2U \ VAT: NL 8123.91.755.B01

www.vandelande.com

All our transactions are subject to the Van de Lande General Terms of Sale. A copy of these can be provided immediately upon your request.