

7.35 PE Kupplung

Produktinformationen

Eigenschaften

- Rohr Innengewinde
- Edelstahl verstärkungsring

Material

- PP = Polypropylen

Dichtungen

- EPDM

Herstellung

- Spritzguss



Zubehör



8.06 O-Ring



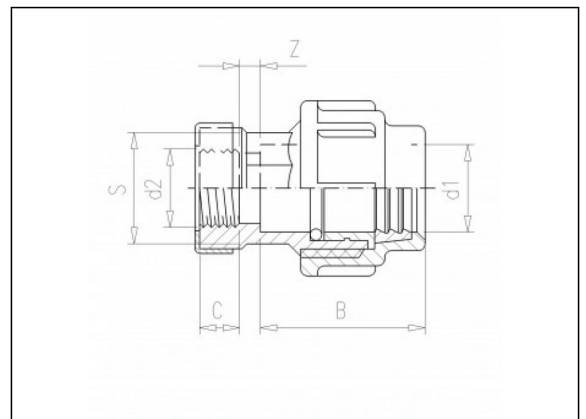
7.42 PE Überwurfmutter



7.44 Klemmring



8.12 RVS Verstärkungsring



Verfügbare Artikel

ART.CODE	d1	d2	Z	B	C	S	PN	Verp
7.34.050	50	1 1/2" (F)	13	90	26	-	16	24
7.34.051	50	2" (F)	18	90	31	-	16	24
7.34.063	63	2" (F)	5	108	31	-	16	18
7.34.074	75	2" (F)	9	124	26	-	10	13
7.34.075	75	2 1/2" (F)	9	124	32	-	10	13
7.34.090	90	2" (F)	17	180	30	-	10	5

Van de Lande BV

Lissenveld 1 \ 4941 VK Raamsdonksveer \ The Netherlands \ t +31 (0)162 51 60 00 \ f +31 (0)162 52 14 17 \ sales@vandelande.com
 Traderegister Tilburg: 18070844 \ IBAN: NL13 RABO 0143 0035 26 \ BIC: RABONL2U \ VAT: NL 8123.91.755.B01

ART.CODE	d1	d2	Z	B	C	S	PN	Verp
7.34.091	90	3" (F)	12	180	34	-	10	5
7.34.109	110	3" (F)	25	220	42	-	10	2
7.34.110	110	4" (F)	19	220	48	-	10	2
7.35.016*	16	3/8" (F)	3	42	13	24	16	200
7.35.017*	16	1/2" (F)	4	42	17	24	16	200
7.35.020*	20	3/8" (F)	4	47	13	27	16	200
7.35.021*	20	1/2" (F)	3	47	17	27	16	200
7.35.022*	20	3/4" (F)	6	47	18	27	16	200
7.35.025*	25	1/2" (F)	4	51	16	33	16	200
7.35.026*	25	3/4" (F)	3	51	18	33	16	200
7.35.027*	25	1" (F)	8	51	21	33	16	175
7.35.031*	32	1/2" (F)	4	57	17	42	16	175
7.35.032*	32	3/4" (F)	4	57	18	42	16	175
7.35.033*	32	1" (F)	4	57	21	42	16	175
7.35.034*	32	1 1/4" (F)	10	57	23	42	16	100
7.35.040*	40	1" (F)	5	61	21	51	16	75
7.35.041*	40	1 1/4" (F)	5	61	23	51	16	75
7.35.042*	40	1 1/2" (F)	11	61	23	51	16	100

Van de Lande BV

Lissenveld 1 \ 4941 VK Raamsdonksveer \ The Netherlands \ t +31 (0)162 51 60 00 \ f +31 (0)162 52 14 17 \ sales@vandelande.com
 Traderegister Tilburg: 18070844 \ IBAN: NL13 RABO 0143 0035 26 \ BIC: RABONL2U \ VAT: NL 8123.91.755.B01

www.vandelande.com

All our transactions are subject to the Van de Lande General Terms of Sale. A copy of these can be provided immediately upon your request.