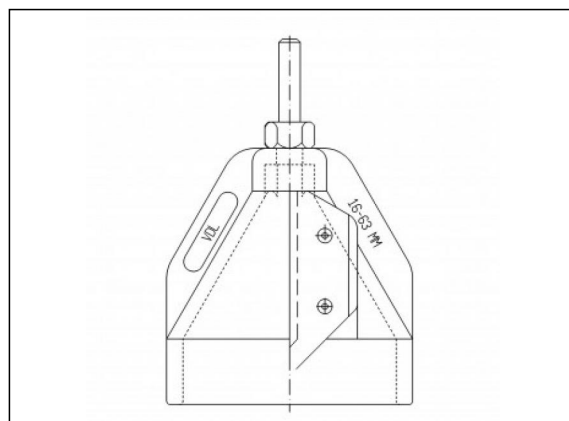


7.49 Ansträgerät

Produktinformationen

Herstellung

- Spritzguss



Verfügbare Artikel

| ART.CODE | Dia | Verp |
|----------|-----|------|
|----------|-----|------|

| | | |
|----------|-------|----|
| 7.49.010 | 16-63 | 10 |
|----------|-------|----|

Van de Lande BV

Lissenveld 1 \ 4941 VK Raamsdonksveer \ The Netherlands \ t +31 (0)162 51 60 00 \ f +31 (0)162 52 14 17 \ sales@vandelande.com
Traderegister Tilburg: 18070844 \ IBAN: NL13 RABO 0143 0035 26 \ BIC: RABONL2U \ VAT: NL 8123.91.755.B01

All our transactions are subject to the Van de Lande General Terms of Sale. A copy of these can be provided immediately upon your request.