

# 6.55 PP Anschluss Schellen

## Produktinformationen

### Eigenschaften

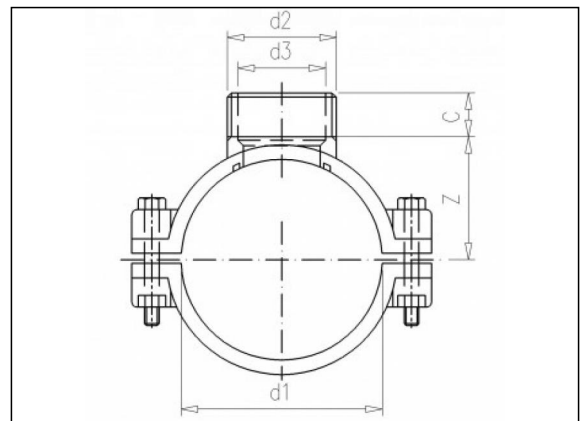
- Rohr Aussengewinde

### Material

- PP = Polypropylen

### Herstellung

- Spritzguss



## Verfügbare Artikel

ART.CODE	d1	d2	d3	L	Z	C	O-ring	N	B	Verp
6.55.020	20	1/2" (M)	10	42	27	15	A	2xR	2	100
6.55.032	32	1/2" (M)	12	54	29	15	C	2xS	2	100
6.55.034	32	1" (M)	18	54	29	19	E	2xS	2	100
6.55.042	40	1" (M)	23	60	32	19	G	4xS	4	80
6.55.050	50	1/2" (M)	12	70	38	15	C	4xS	4	60
6.55.053	50	1 1/4" (M)	26	70	38	21	I	4xS	4	60

### Van de Lande BV

Lissenveld 1 \ 4941 VK Raamsdonksveer \ The Netherlands \ t +31 (0)162 51 60 00 \ f +31 (0)162 52 14 17 \ sales@vandelande.com  
 Traderegister Tilburg: 18070844 \ IBAN: NL13 RABO 0143 0035 26 \ BIC: RABONL2U \ VAT: NL 8123.91.755.B01

ART.CODE	d1	d2	d3	L	Z	C	O- ring	N	B	Verp
6.55.063	63	1/2" (M)	12	80	44	15	D	4xS	4	40
6.55.064	63	3/4" (M)	17	80	44	16	F	4xS	4	40
6.55.065	63	1" (M)	23	80	44	19	H	4xS	4	40
6.55.066	63	1 1/4" (M)	26	80	44	21	J	4xS	4	30
6.55.075	75	1/2" (M)	12	92	51	15	D	4xT	6	25
6.55.076	75	3/4" (M)	17	92	51	16	F	4xT	6	25
6.55.078	75	1 1/4" (M)	26	92	51	21	J	4xT	6	25
6.55.079	75	1 1/2" (M)	33	92	51	21	K	4xT	6	25
6.55.080	75	2" (M)	42	92	51	26	L	4xT	6	25
6.55.091	90	3/4" (M)	17	98	58	16	F	4xT	6	25
6.55.092	90	1" (M)	23	98	58	19	H	4xT	6	25
6.55.093	90	1 1/4" (M)	26	98	58	21	J	4xT	6	25
6.55.095	90	2" (M)	42	98	58	26	L	4xT	6	25
6.55.110	110	1" (M)	23	114	68	19	H	4xT	6	20
6.55.111	110	1 1/4" (M)	26	114	68	21	J	4xT	6	20
6.55.112	110	1 1/2" (M)	33	114	68	21	K	4xT	6	20
6.55.113	110	2" (M)	42	114	68	26	L	4xT	6	20
6.55.114	110	2 1/2" (M)	58	114	68	31	N	4xT	6	20
6.55.125	125	1" (M)	23	120	75	19	H	4xT	6	15
6.55.126	125	1 1/4" (M)	26	120	75	21	J	4xT	6	15

**Van de Lande BV**

Lissenveld 1 \ 4941 VK Raamsdonksveer \ The Netherlands \ t +31 (0)162 51 60 00 \ f +31 (0)162 52 14 17 \ sales@vandelande.com  
 Traderegister Tilburg: 18070844 \ IBAN: NL13 RABO 0143 0035 26 \ BIC: RABONL2U \ VAT: NL 8123.91.755.B01

[www.vandelande.com](http://www.vandelande.com)

All our transactions are subject to the Van de Lande General Terms of Sale. A copy of these can be provided immediately upon your request.

ART.CODE	d1	d2	d3	L	Z	C	O- ring	N	B	Verp
6.55.127	125	1 1/2" (M)	33	120	75	21	K	4xT	6	15
6.55.128	125	2" (M)	42	120	75	26	L	4xT	6	15
6.55.140	140	1 1/4" (M)	26	130	84	21	J	6xT	6	10
6.55.141	140	2" (M)	42	130	84	26	L	6xT	6	10
6.55.142	140	2 1/2" (M)	58	58	84	31	N	6xT	6	10
6.55.160	160	1" (M)	23	144	93	19	H	6xT	6	10
6.55.161	160	1 1/4" (M)	26	144	93	21	J	6xT	6	10
6.55.162	160	1 1/2" (M)	33	144	93	21	K	6xT	6	10
6.55.163	160	2" (M)	42	144	93	26	L	6xT	6	10
6.55.165	160	3" (M)	72	144	93	34	P	6xT	6	10

**Van de Lande BV**

Lissenveld 1 \ 4941 VK Raamsdonksveer \ The Netherlands \ t +31 (0)162 51 60 00 \ f +31 (0)162 52 14 17 \ sales@vandelande.com  
 Traderegister Tilburg: 18070844 \ IBAN: NL13 RABO 0143 0035 26 \ BIC: RABONL2U \ VAT: NL 8123.91.755.B01

[www.vandelande.com](http://www.vandelande.com)

All our transactions are subject to the Van de Lande General Terms of Sale. A copy of these can be provided immediately upon your request.