

PVC-C Klebekappe

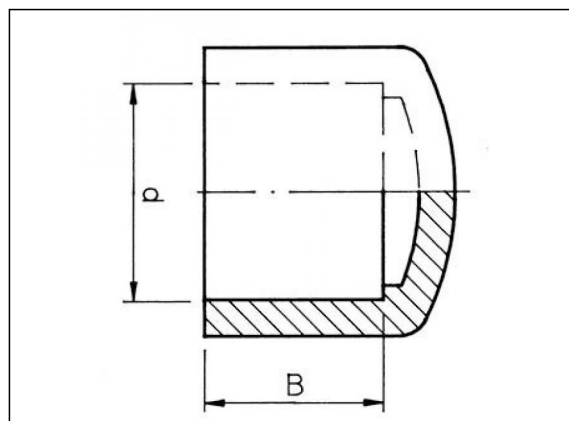
Produktinformationen

Material

- PVC-C = Polyvinylchloride post chlorinated

Herstellung

- Spritzguss



Verfügbare Artikel

| ART.CODE | d | B | PN | Verp |
|------------|-----|----|----|------|
| 7018102001 | 20 | 16 | 16 | 250 |
| 7018102501 | 25 | 19 | 16 | 250 |
| 7018103201 | 32 | 22 | 16 | 170 |
| 7018104001 | 40 | 26 | 16 | 100 |
| 7018105001 | 50 | 31 | 16 | 200 |
| 7018106301 | 63 | 38 | 16 | 115 |
| 7018107501 | 75 | 44 | 16 | 70 |
| 7018109001 | 90 | 51 | 16 | 45 |
| 7018111001 | 110 | 61 | 16 | 24 |

Van de Lande BV

Lissenveld 1 \ 4941 VK Raamsdonksveer \ The Netherlands \ t +31 (0)162 51 60 00 \ f +31 (0)162 52 14 17 \ sales@vandelande.com
Traderegister Tilburg: 18070844 \ IBAN: NL13 RABO 0143 0035 26 \ BIC: RABONL2U \ VAT: NL 8123.91.755.B01

ART.CODE d B PN Verp

Van de Lande BV

Lissenveld 1 \ 4941 VK Raamsdonksveer \ The Netherlands \ t +31 (0)162 51 60 00 \ f +31 (0)162 52 14 17 \ sales@vandelande.com
Traderegister Tilburg: 18070844 \ IBAN: NL13 RABO 0143 0035 26 \ BIC: RABONL2U \ VAT: NL 8123.91.755.B01

All our transactions are subject to the Van de Lande General Terms of Sale. A copy of these can be provided immediately upon your request.