

PVC-C Schraubmuffe

Produktinformationen

Eigenschaften

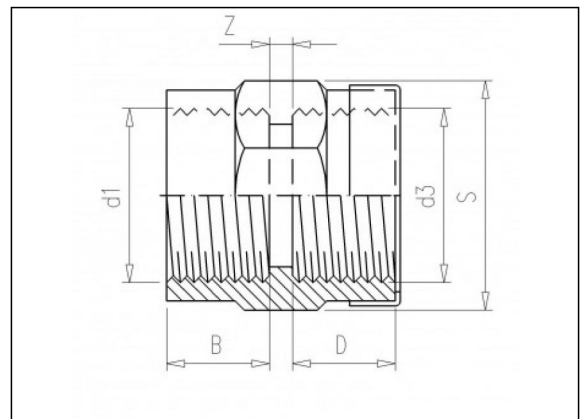
- Rohr Innengewinde
- Edelstahl verstärkungsring

Material

- PVC-C = Polyvinylchloride post chlorinated

Herstellung

- Spritzguss



Verfügbare Artikel

ART.CODE	d1	d3	Z	B	D	S	PN	Verp
7014102001	20	1/2" (F)	2	16	15	32	16	50
7014102501	25	3/4" (F)	4	19	16	36	16	50
7014103201	32	1" (F)	3	22	22	46	16	50
7014104001	40	1 1/4" (F)	3	26	23	55	16	100
7014105001	50	1 1/2" (F)	2	31	25	66	16	100

Van de Lande BV

Lissenveld 1 \ 4941 VK Raamsdonksveer \ The Netherlands \ t +31 (0)162 51 60 00 \ f +31 (0)162 52 14 17 \ sales@vandelande.com
 Traderegister Tilburg: 18070844 \ IBAN: NL13 RABO 0143 0035 26 \ BIC: RABONL2U \ VAT: NL 8123.91.755.B01

ART.CODE	d1	d3	Z	B	D	S	PN	Verp
7014106301	63	2" (F)	4	38	28	80	16	25

Van de Lande BV

Lissenveld 1 \ 4941 VK Raamsdonksveer \ The Netherlands \ t +31 (0)162 51 60 00 \ f +31 (0)162 52 14 17 \ sales@vandelande.com
Traderegister Tilburg: 18070844 \ IBAN: NL13 RABO 0143 0035 26 \ BIC: RABONL2U \ VAT: NL 8123.91.755.B01

All our transactions are subject to the Van de Lande General Terms of Sale. A copy of these can be provided immediately upon your request.