

PVC-C Winkel 90°

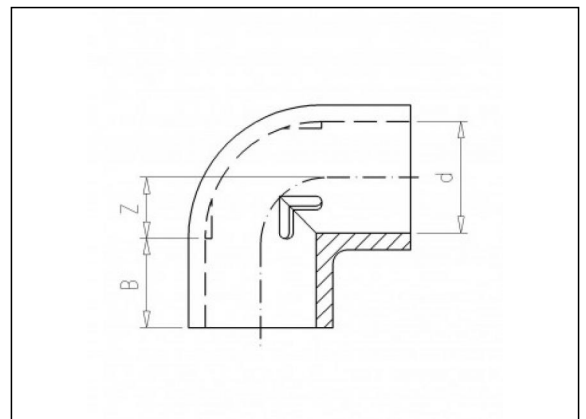
Produktinformationen

Material

- PVC-C = Polyvinylchloride post chlorinated

Herstellung

- Spritzguss



Verfügbare Artikel

ART.CODE	d	Z	B	PN	Verp
7005102001	20	12	16	16	200
7005102501	25	14.5	19	16	350
7005103201	32	17	22	16	250
7005104001	40	22	26	16	170
7005105001	50	28	31	16	80
7005106301	63	34	38	16	50
7005107501	75	40	44	16	30
7005109001	90	45	51	16	17
7005111001	110	59	61	16	12

Van de Lande BV

Lispenveld 1 \ 4941 VK Raamsdonksveer \ The Netherlands \ t +31 (0)162 51 60 00 \ f +31 (0)162 52 14 17 \ sales@vandelande.com
Traderegister Tilburg: 18070844 \ IBAN: NL13 RABO 0143 0035 26 \ BIC: RABONL2U \ VAT: NL 8123.91.755.B01

All our transactions are subject to the Van de Lande General Terms of Sale. A copy of these can be provided immediately upon your request.

ART.CODE d Z B PN Verp

Van de Lande BV

Lissenveld 1 \ 4941 VK Raamsdonksveer \ The Netherlands \ t +31 (0)162 51 60 00 \ f +31 (0)162 52 14 17 \ sales@vandelande.com
Traderegister Tilburg: 18070844 \ IBAN: NL13 RABO 0143 0035 26 \ BIC: RABONL2U \ VAT: NL 8123.91.755.B01

All our transactions are subject to the Van de Lande General Terms of Sale. A copy of these can be provided immediately upon your request.