

1.05/1.06 Bogen 90°

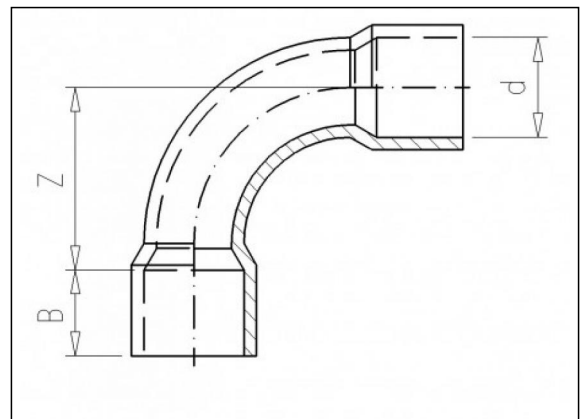
Produktinformationen

Material

- PVC-U = Polyvinylchlorid ohne Weichmacher

Herstellung

- Hergestellt aus Rohr



Verfügbare Artikel

| ART.CODE | d | Z | B | PN | Verp |
|----------|-----|-----|-------|------|------|
| 1.05.032 | 32 | 60 | 22-25 | 10 | 350 |
| 1.05.040 | 40 | 76 | 26-30 | 10 | 200 |
| 1.05.050 | 50 | 92 | 31-35 | 10 | 100 |
| 1.05.063 | 63 | 102 | 38-43 | 10 | 60 |
| 1.05.075 | 75 | 118 | 44-51 | 10 | 35 |
| 1.05.090 | 90 | 142 | 51-59 | 10 | 20 |
| 1.05.110 | 110 | 175 | 61-70 | 12.5 | 10 |
| 1.05.125 | 125 | 200 | 69-79 | 12.5 | 8 |
| 1.05.140 | 140 | 236 | 76-87 | 12.5 | 5 |

Van de Lande BV

Lissenveld 1 \ 4941 VK Raamsdonksveer \ The Netherlands \ t +31 (0)162 51 60 00 \ f +31 (0)162 52 14 17 \ sales@vandelande.com
Traderegister Tilburg: 18070844 \ IBAN: NL13 RABO 0143 0035 26 \ BIC: RABONL2U \ VAT: NL 8123.91.755.B01

| ART.CODE | d | Z | B | PN | Verp |
|----------|-----|-----|-------------|------|------|
| 1.05.160 | 160 | 260 | 86-99 | 12.5 | 4 |
| 1.05.200 | 200 | 330 | 106-1 22 | 125 | 16 |
| 1.05.225 | 225 | 380 | 119-1 36 | 12.5 | 10 |
| 1.05.250 | 250 | 390 | 131-1 51 | 12.5 | 8 |
| 1.05.280 | 280 | 480 | 146-1 68 | 12.5 | 6 |
| 1.05.315 | 315 | 625 | 164-1 88 | 12.5 | 4 |
| 1.06.032 | 32 | 60 | 22-25 | 16 | 175 |
| 1.06.040 | 40 | 76 | 26-30 | 16 | 100 |
| 1.06.050 | 50 | 92 | 31-35 | 16 | 80 |
| 1.06.063 | 63 | 102 | 38-43 | 16 | 45 |
| 1.06.075 | 75 | 118 | 44-51 | 16 | 25 |
| 1.06.090 | 90 | 142 | 51-59 | 16 | 15 |

Van de Lande BV

Lissenveld 1 \ 4941 VK Raamsdonksveer \ The Netherlands \ t +31 (0)162 51 60 00 \ f +31 (0)162 52 14 17 \ sales@vandelande.com
Traderegister Tilburg: 18070844 \ IBAN: NL13 RABO 0143 0035 26 \ BIC: RABONL2U \ VAT: NL 8123.91.755.B01

www.vandelande.com

All our transactions are subject to the Van de Lande General Terms of Sale. A copy of these can be provided immediately upon your request.