

1.17 Bogen 30°

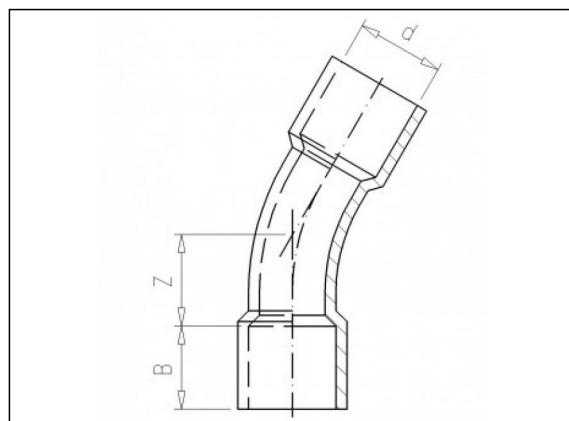
Produktinformationen

Material

- PVC-U = Polyvinylchlorid ohne Weichmacher

Herstellung

- Hergestellt aus Rohr



Verfügbare Artikel

ART.CODE	d	Z	B	PN	Verp
1.17.063	63	48	38-43	10	90
1.17.090	90	65	51-59	10	30
1.17.110	110	79	61-70	12.5	15
1.17.125	125	92	69-79	12.5	10
1.17.140	140	106	76-87	12.5	7
1.17.160	160	122	86-99	12.5	5
1.17.200	200	147	106-1 22	12.5	24
1.17.225	225	172	119-1 36	12.5	15

Van de Lande BV

Lissenveld 1 \ 4941 VK Raamsdonksveer \ The Netherlands \ t +31 (0)162 51 60 00 \ f +31 (0)162 52 14 17 \ sales@vandelande.com
 Traderegister Tilburg: 18070844 \ IBAN: NL13 RABO 0143 0035 26 \ BIC: RABONL2U \ VAT: NL 8123.91.755.B01

ART.CODE	d	Z	B	PN	Verp
1.17.250	250	195	131-1 51	12.5	12
1.17.280	280	213	146-1 68	12.5	1
1.17.315	315	240	164-1 88	12.5	1

Van de Lande BV

Lissenveld 1 \ 4941 VK Raamsdonksveer \ The Netherlands \ t +31 (0)162 51 60 00 \ f +31 (0)162 52 14 17 \ sales@vandelande.com
Traderegister Tilburg: 18070844 \ IBAN: NL13 RABO 0143 0035 26 \ BIC: RABONL2U \ VAT: NL 8123.91.755.B01

All our transactions are subject to the Van de Lande General Terms of Sale. A copy of these can be provided immediately upon your request.