

# 1.30 Reduktionmuffe

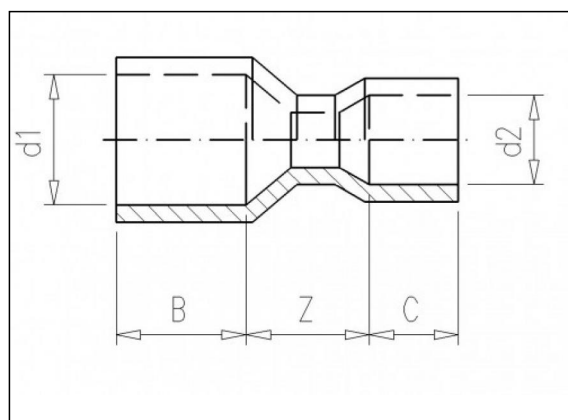
## Produktinformationen

### Material

- PVC-U = Polyvinylchlorid ohne Weichmacher

### Herstellung

- Hergestellt aus Rohr



## Verfügbare Artikel

ART.CODE	d1	d2	Z	B	C	PN	Verp
1.30.030	63	50	29	38-40	31-33	12.5	150
1.30.035	75	50	42	44-46	31-33	7.5	100
1.30.040	75	63	38	44-46	38-40	12.5	100
1.30.045	90	50	37	51-53	31-33	12.5	50
1.30.050	90	63	55	51-53	38-40	10	50
1.30.055	90	75	40	51-53	44-46	12.5	72
1.30.060	110	75	60	61-64	44-46	7.5	50
1.30.065	110	90	60	61-64	51-53	12.5	45
1.30.070	125	90	73	69-72	51-53	10	24

### Van de Lande BV

Lissenveld 1 \ 4941 VK Raamsdonksveer \ The Netherlands \ t +31 (0)162 51 60 00 \ f +31 (0)162 52 14 17 \ sales@vandelande.com  
 Traderegister Tilburg: 18070844 \ IBAN: NL13 RABO 0143 0035 26 \ BIC: RABONL2U \ VAT: NL 8123.91.755.B01

ART.CODE	d1	d2	Z	B	C	PN	Verp
1.30.075	125	110	63	69-72	61-64	10	24
1.30.078	140	110	71	76-80	61-64	6	15
1.30.079	140	125	65	76-80	69-72	10	12
1.30.080	160	110	95	86-90	61-64	6	12
1.30.085	160	125	80	86-90	69-72	10	12
1.30.087	160	140	76	86-90	76-80	10	8
1.30.090	200	125	120	106-1 11	69-72	6	6
1.30.092	200	140	111	106-1 11	76-80	6	1
1.30.095	200	160	97	106-1 11	86-90	10	4
1.30.096	225	160	123	119-1 25	86-90	6	1
1.30.097	225	200	85	119-1 25	106-1 11	10	1
1.30.100	250	200	111	131-1 37	106-1 11	10	36
1.30.103	250	225	99	131-1 37	119-1 25	10	1
1.30.110	280	225	125	146-1 53	119-1 25	6	1
1.30.113	280	250	112	146-1 53	131-1 37	10	1
1.30.117	315	225	155	164-1 72	119-1 25	6	16
1.30.120	315	250	140	164-1 72	131-1 37	6	16
1.30.123	315	280	120	164-1 72	146-1 53	10	14
1.30.125	355	315	130	184-1 93	164-1 72	6	1
1.30.130	400	315	168	206-2 16	164-1 72	6	8
1.30.132	400	355	135	206-2 16	184-1 93	6	1

**Van de Lande BV**

Lissenveld 1 \ 4941 VK Raamsdonksveer \ The Netherlands \ t +31 (0)162 51 60 00 \ f +31 (0)162 52 14 17 \ sales@vandelande.com  
 Traderegister Tilburg: 18070844 \ IBAN: NL13 RABO 0143 0035 26 \ BIC: RABONL2U \ VAT: NL 8123.91.755.B01

[www.vandelande.com](http://www.vandelande.com)

All our transactions are subject to the Van de Lande General Terms of Sale. A copy of these can be provided immediately upon your request.