

# 2.50 Kreuz

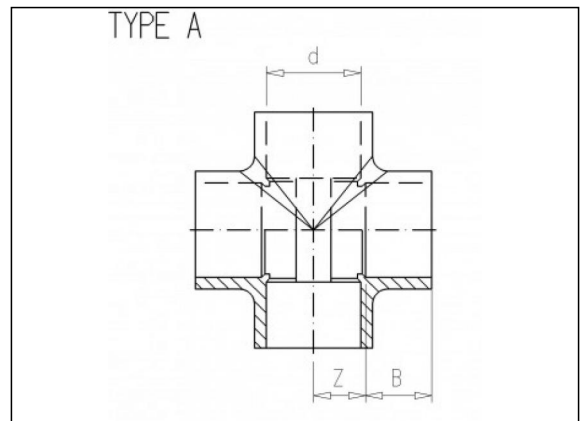
## Produktinformationen

### Material

- PVC-U = Polyvinylchlorid ohne Weichmacher

### Herstellung

- Spritzguss



## Verfügbare Artikel

ART.CODE	d1	d2	Z	B	C	Type	PN	Verp
2.50.010	10	-	7	12	-	A	16	150 (3x50 )
2.50.012	12	-	8	12	-	A	16	150 (3x50 )
2.50.016	16	-	10	14	-	A	16	150 (3x50 )
2.50.020	20	-	11	16	-	A	16	100 (2x50 )

### Van de Lande BV

Lissenveld 1 \ 4941 VK Raamsdonksveer \ The Netherlands \ t +31 (0)162 51 60 00 \ f +31 (0)162 52 14 17 \ sales@vandelande.com  
 Traderegister Tilburg: 18070844 \ IBAN: NL13 RABO 0143 0035 26 \ BIC: RABONL2U \ VAT: NL 8123.91.755.B01

ART.CODE	d1	d2	Z	B	C	Type	PN	Verp
2.50.025	25	-	14	19	-	A	16	150
2.50.032	32	-	17	22	-	A	16	150
2.50.039	40	32	23	26	22	B	16	100
2.50.040	40	-	23	26	-	A	16	90
2.50.049	50	32	28	31	22	B	16	70
2.50.050	50	-	28	31	-	A	16	54
2.50.063	63	-	34	38	-	A	16	25
2.50.075	75	-	40	44	-	A	10	16
2.50.090	90	-	48	51	-	A	10	10
2.50.110	110	-	59	61	-	A	10	3

**Van de Lande BV**

Lissenveld 1 \ 4941 VK Raamsdonksveer \ The Netherlands \ t +31 (0)162 51 60 00 \ f +31 (0)162 52 14 17 \ sales@vandelande.com  
Traderegister Tilburg: 18070844 \ IBAN: NL13 RABO 0143 0035 26 \ BIC: RABONL2U \ VAT: NL 8123.91.755.B01

[www.vandelande.com](http://www.vandelande.com)

All our transactions are subject to the Van de Lande General Terms of Sale. A copy of these can be provided immediately upon your request.