

3.27 Schraubmuffe

Produktinformationen

Eigenschaften

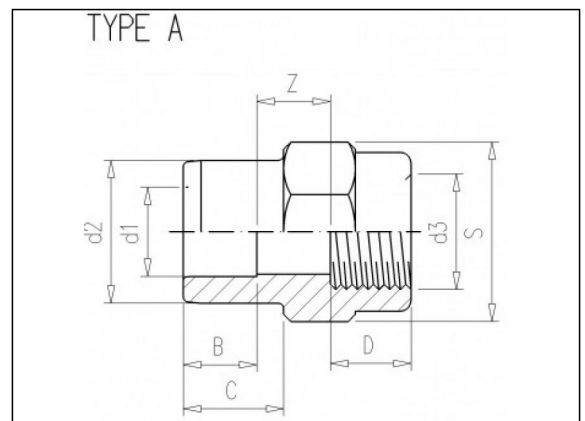
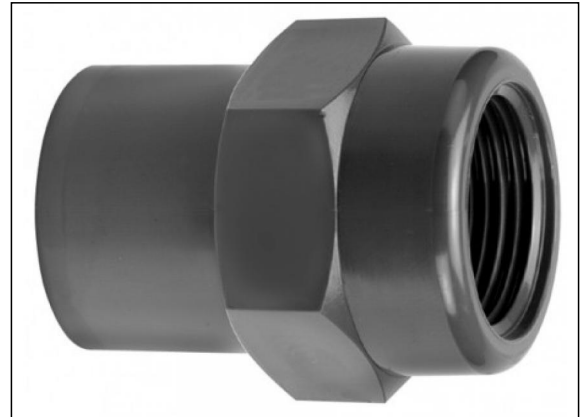
- Rohr Innengewinde
- Edelstahl verstärkungsring

Material

- PVC-U = Polyvinylchlorid ohne Weichmacher

Herstellung

- Spritzguss



Verfügbare Artikel

ART.CODE	d1	d2	d3	Z	B	C	D	S	Type	PN	Verp
3.27.010	10	16	1/4" (F)	9	12	14	12	24	A	16	100
3.27.015	12	16	3/8" (F)	11	12	14	12	27	A	10	100
3.27.016	12	16	3/8" (F)	11	12	14	12	27	B	16	50
3.27.017	-	20	1/2" (F)	-	-	16	15	32	A	10	100
3.27.018	-	20	1/2" (F)	-	-	16	15	32	B	16	50

Van de Lande BV

Lissenveld 1 \ 4941 VK Raamsdonksveer \ The Netherlands \ t +31 (0)162 51 60 00 \ f +31 (0)162 52 14 17 \ sales@vandelande.com
 Traderegister Tilburg: 18070844 \ IBAN: NL13 RABO 0143 0035 26 \ BIC: RABONL2U \ VAT: NL 8123.91.755.B01

ART.CODE	d1	d2	d3	Z	B	C	D	S	Type	PN	Verp
3.27.020	16	25	1/2" (F)	13.5	14	19	15	32	A	10	100
3.27.021	16	25	1/2" (F)	13.5	14	19	15	32	B	16	50
3.27.025	20	32	3/4" (F)	17	16	22	16	36	A	10	100
3.27.026	20	32	3/4" (F)	17	16	22	16	36	B	16	50
3.27.032	25	32	1" (F)	15.5	19	22	22	46	A	10	200
3.27.033	25	32	1" (F)	15.5	19	22	22	46	B	16	75
3.27.040	32	40	1 1/4" (F)	17	23	26	23	55	A	10	100
3.27.041	32	40	1 1/4" (F)	17	23	26	23	55	B	16	100
3.27.050	40	50	1 1/2" (F)	21	26	31	25	66	A	10	75
3.27.051	40	50	1 1/2" (F)	21	26	31	25	66	B	16	75
3.27.063	50	63	2" (F)	26.5	32	38	28	80	A	10	60
3.27.064	50	63	2" (F)	26.5	32	38	28	80	B	16	25
3.27.076	63	75	2 1/2" (F)	29.5	38	44	31	96	B	10	25

Van de Lande BV

Lissenveld 1 \ 4941 VK Raamsdonksveer \ The Netherlands \ t +31 (0)162 51 60 00 \ f +31 (0)162 52 14 17 \ sales@vandelande.com
 Traderegister Tilburg: 18070844 \ IBAN: NL13 RABO 0143 0035 26 \ BIC: RABONL2U \ VAT: NL 8123.91.755.B01

www.vandelande.com

All our transactions are subject to the Van de Lande General Terms of Sale. A copy of these can be provided immediately upon your request.