

3.55 Klebekappe

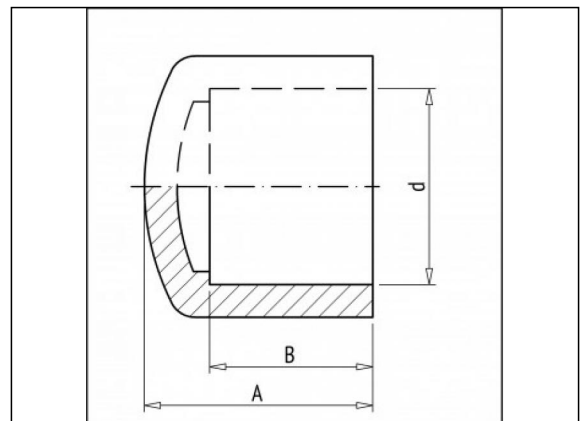
Produktinformationen

Material

- PVC-U = Polyvinylchlorid ohne Weichmacher

Herstellung

- Spritzguss



Verfügbare Artikel

ART.CODE	d	A	B	PN	Verp
3.55.010	10	17	12	16	250
3.55.012	12	18	12	16	250
3.55.016	16	24	14	16	250
3.55.020	20	25	16	16	250
3.55.025	25	29	19	16	250
3.55.032	32	33	22	16	175
3.55.040	40	40	26	16	100
3.55.050	50	47	31	16	200
3.55.063	63	57	38	16	115

Van de Lande BV

Lissenveld 1 \ 4941 VK Raamsdonksveer \ The Netherlands \ t +31 (0)162 51 60 00 \ f +31 (0)162 52 14 17 \ sales@vandelande.com
Traderegister Tilburg: 18070844 \ IBAN: NL13 RABO 0143 0035 26 \ BIC: RABONL2U \ VAT: NL 8123.91.755.B01

ART.CODE	d	A	B	PN	Verp
3.55.075	75	67	44	16	70
3.55.090	90	77	51	16	45
3.55.110	110	95	61	16	24
3.55.125	125	103	69	16	15
3.55.140	140	118	76	16	15
3.55.160	160	131	86	16	2
3.55.200	200	170	107	10	3
3.55.225	225	185	119	10	2
3.55.250	250	205	132	10	2
3.55.280	280	230	147	10	1
3.55.315	315	255	165	10	1

Van de Lande BV

Lissenveld 1 \ 4941 VK Raamsdonksveer \ The Netherlands \ t +31 (0)162 51 60 00 \ f +31 (0)162 52 14 17 \ sales@vandelande.com
Traderegister Tilburg: 18070844 \ IBAN: NL13 RABO 0143 0035 26 \ BIC: RABONL2U \ VAT: NL 8123.91.755.B01

All our transactions are subject to the Van de Lande General Terms of Sale. A copy of these can be provided immediately upon your request.