

3.92 Reduktionsmuffe Einschub

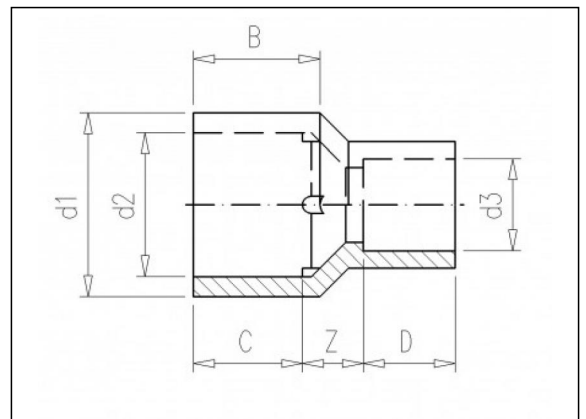
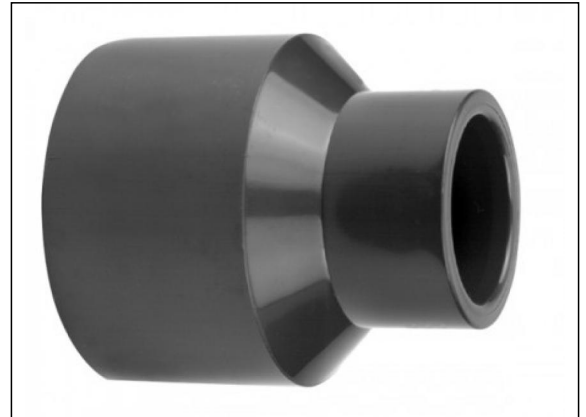
Produktinformationen

Material

- PVC-U = Polyvinylchlorid ohne Weichmacher

Herstellung

- Spritzguss



Verfügbare Artikel

ART.CODE	d1	d2	d3	Z	B	C	D	PN	Verp
3.92.010	10	6	8	2	12	12	12	16	250
3.92.012	12	8	10	2	12	12	12	16	250
3.92.016	16	12	8	6	14	12	12	16	250
3.92.017	16	12	10	6	14	12	12	16	250
3.92.020	20	16	10	6	16	14	12	16	250
3.92.021	20	16	12	6	16	14	12	16	250
3.92.025	25	20	12	9	19	16	12	16	125
3.92.026	25	20	16	7	19	16	14	16	125
3.92.032	32	25	16	9.5	22	19	14	16	125

Van de Lande BV

Lissenveld 1 \ 4941 VK Raamsdonksveer \ The Netherlands \ t +31 (0)162 51 60 00 \ f +31 (0)162 52 14 17 \ sales@vandelande.com
 Traderegister Tilburg: 18070844 \ IBAN: NL13 RABO 0143 0035 26 \ BIC: RABONL2U \ VAT: NL 8123.91.755.B01

ART.CODE	d1	d2	d3	Z	B	C	D	PN	Verp
3.92.033	32	25	20	7.5	22	19	16	16	125
3.92.040	40	32	16	14	26	22	14	16	125
3.92.041	40	32	20	12	26	22	16	16	125
3.92.042	40	32	25	9	26	22	19	16	125
3.92.050	50	40	20	17	31	26	16	16	75
3.92.051	50	40	25	14	31	26	19	16	75
3.92.052	50	40	32	11	31	26	22	16	75
3.92.053	50	40	40	4	31	26	26	16	75
3.92.063	63	50	25	20	38	31	19	16	75
3.92.064	63	50	32	17	38	31	22	16	75
3.92.065	63	50	40	13	38	31	26	16	75
3.92.066	63	50	50	4	38	31	31	16	75
3.92.075	75	63	32	23	44	38	22	16	75
3.92.076	75	63	40	19	44	38	26	16	75
3.92.077	75	63	50	14	44	38	31	16	75
3.92.090	90	75	40	25	51	44	26	16	60
3.92.091	90	75	50	20	51	44	31	16	75
3.92.092	90	75	63	13	51	44	38	16	50
3.92.110	110	90	50	30	61	51	31	16	30
3.92.111	110	90	63	23	61	51	38	16	30
3.92.112	110	90	75	17	61	51	44	16	36
3.92.124	125	110	50	39	69	61	31	16	24
3.92.125	125	110	63	32	69	61	38	16	24
3.92.126	125	110	75	26	69	61	44	16	24
3.92.127	125	110	90	19	69	61	51	16	24
3.92.140	140	125	75	33	76	69	44	16	24
3.92.141	140	125	90	26	76	69	51	16	24
3.92.142	140	125	110	16	76	69	61	16	14
3.92.160	160	140	90	40	86	76	51	16	8
3.92.161	160	140	110	30	86	76	61	16	8
3.92.162	160	140	125	22	86	76	69	16	10
3.93.160	-	160	90	55	-	87	51	16	8
3.93.161	-	160	110	45	-	87	61	16	8
3.93.162	-	160	125	37	-	87	69	16	8
3.93.201	-	200	125	60	-	107	69	10	2

Van de Lande BV

Lissenveld 1 \ 4941 VK Raamsdonksveer \ The Netherlands \ t +31 (0)162 51 60 00 \ f +31 (0)162 52 14 17 \ sales@vandelande.com
 Traderegister Tilburg: 18070844 \ IBAN: NL13 RABO 0143 0035 26 \ BIC: RABONL2U \ VAT: NL 8123.91.755.B01

www.vandelande.com

All our transactions are subject to the Van de Lande General Terms of Sale. A copy of these can be provided immediately upon your request.

ART.CODE	d1	d2	d3	Z	B	C	D	PN	Verp
3.93.203	-	200	160	45	-	107	87	10	2
3.93.226	-	225	160	56	-	119	87	10	1
3.93.227	-	225	200	36	-	119	107	10	1
3.93.253	-	250	200	52	-	132	107	10	1
3.93.318	-	315	250	60	-	165	132	10	1

Van de Lande BV

Lissenveld 1 \ 4941 VK Raamsdonksveer \ The Netherlands \ t +31 (0)162 51 60 00 \ f +31 (0)162 52 14 17 \ sales@vandelande.com
Traderegister Tilburg: 18070844 \ IBAN: NL13 RABO 0143 0035 26 \ BIC: RABONL2U \ VAT: NL 8123.91.755.B01

www.vandelande.com

All our transactions are subject to the Van de Lande General Terms of Sale. A copy of these can be provided immediately upon your request.