

# 6.70 Absperrklappe ohne Griff SPE

## Produktinformationen

### Eigenschaften

- Edelstahl

### Material

- PVC-U = Polyvinylchlorid ohne Weichmacher

### Dichtungen

- EPDM

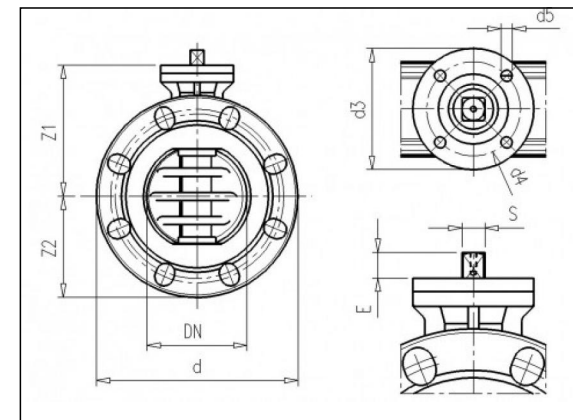
### Herstellung

- Spritzguss

## Zubehör



6.76 Kit für Absperrklappe



## Van de Lande BV

Lissenveld 1 \ 4941 VK Raamsdonksveer \ The Netherlands \ t +31 (0)162 51 60 00 \ f +31 (0)162 52 14 17 \ sales@vandelande.com

Traderegister Tilburg: 18070844 \ IBAN: NL13 RABO 0143 0035 26 \ BIC: RABONL2U \ VAT: NL 8123.91.755.B01

All our transactions are subject to the Van de Lande General Terms of Sale. A copy of these can be provided immediately upon your request.

**Verfügbare Artikel**

ART.CODE	Dia	DN	D	d1	d2	Z	Z2	Z3	NxD	d3	d4	d5	E	S	Torque (min.)	ISO52 11	PN	Verp
SPE670075	75	65	185	106	128/1 44	53	92.5	174	4x19	90	70	8.5	11	11	20 Nm	F05/F 07-Y- L-11	10	5
SPE670090	90	80	200	125	145/1 60	56	100	181	8x19	90	70	8.5	15	14	30 Nm	F05/F 07-Y- L-14	10	5
SPE670110	110	100	220	150	165/1 90	63	110	192	8x19	90	70	8.5	15	14	60 Nm	F05/F 07-Y- L-14	10	5
SPE670140	140	125	250	188	204/2 15	71	125	203	8x23	90	70	8.5	19	17	100 Nm	F07-Y- L-17	10	4
SPE670160	160	150	285	214	230/2 42	78	142.5	221	8x23	90	70	8.5	19	17	120 Nm	F07-Y- L-17	6	4
SPE670225	225	200	340	266	280/2 98	81	170	289	8x23	125	102	11	23	22	180 Nm	F10-Y- L-22	6	1

**Van de Lande BV**

Lissenveld 1 \ 4941 VK Raamsdonksveer \ The Netherlands \ t +31 (0)162 51 60 00 \ f +31 (0)162 52 14 17 \ sales@vandelande.com

Traderegister Tilburg: 18070844 \ IBAN: NL13 RABO 0143 0035 26 \ BIC: RABONL2U \ VAT: NL 8123.91.755.B01

All our transactions are subject to the Van de Lande General Terms of Sale. A copy of these can be provided immediately upon your request.