

6.80 MES Absperrschieber Verlängerung

Produktinformationen

Eigenschaften

- Edelstahl

Material

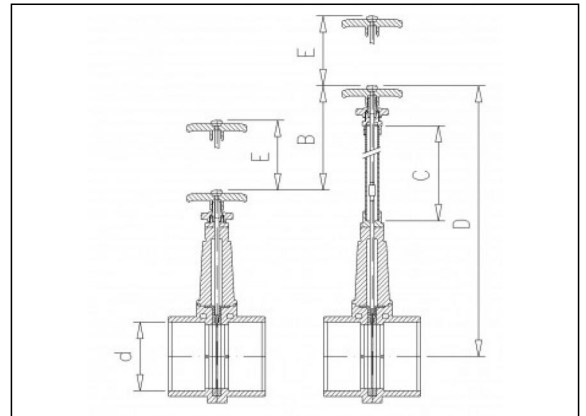
- PVC-U = Polyvinylchlorid ohne Weichmacher

Dichtungen

- EPDM

Herstellung

- Spritzguss



Verfügbare Artikel

| ART.CODE | d | B | C | D | E | P max | Verp |
|------------|-----|------|------|------|-----|----------|------|
| 6.80.111.1 | 110 | 500 | 478 | 788 | 107 | 0.5 | 1 |
| 6.80.111.2 | 110 | 1000 | 978 | 1288 | 107 | 0.5 | 1 |
| 6.80.111.3 | 110 | 1500 | 1478 | 1788 | 107 | 0.5 | 1 |
| 6.80.111.4 | 110 | 2000 | 1978 | 2288 | 107 | 0.5 | 1 |
| 6.80.161.1 | 160 | 500 | 478 | 888 | 163 | 0.5 | 1 |
| 6.80.161.2 | 160 | 1000 | 978 | 1388 | 163 | 0.5 | 1 |
| 6.80.161.3 | 160 | 1500 | 1478 | 1888 | 163 | 0.5 | 1 |

Van de Lande BV

Lissenveld 1 \ 4941 VK Raamsdonksveer \ The Netherlands \ t +31 (0)162 51 60 00 \ f +31 (0)162 52 14 17 \ sales@vandelande.com
 Traderegister Tilburg: 18070844 \ IBAN: NL13 RABO 0143 0035 26 \ BIC: RABONL2U \ VAT: NL 8123.91.755.B01

| ART.CODE | d | B | C | D | E | P max | Verp |
|------------|-----|------|------|------|-----|----------|------|
| 6.80.161.4 | 160 | 2000 | 1978 | 2388 | 163 | 0.5 | 1 |
| 6.80.201.1 | 200 | 500 | 478 | 950 | 200 | 0.5 | 1 |
| 6.80.201.2 | 200 | 1000 | 978 | 1450 | 200 | 0.5 | 1 |
| 6.80.201.3 | 200 | 1500 | 1478 | 1950 | 200 | 0.5 | 1 |
| 6.80.201.4 | 200 | 2000 | 1978 | 2450 | 200 | 0.5 | 1 |

Van de Lande BV

Lissenveld 1 \ 4941 VK Raamsdonksveer \ The Netherlands \ t +31 (0)162 51 60 00 \ f +31 (0)162 52 14 17 \ sales@vandelande.com
Traderegister Tilburg: 18070844 \ IBAN: NL13 RABO 0143 0035 26 \ BIC: RABONL2U \ VAT: NL 8123.91.755.B01

All our transactions are subject to the Van de Lande General Terms of Sale. A copy of these can be provided immediately upon your request.