

8.08 PP Gleitring

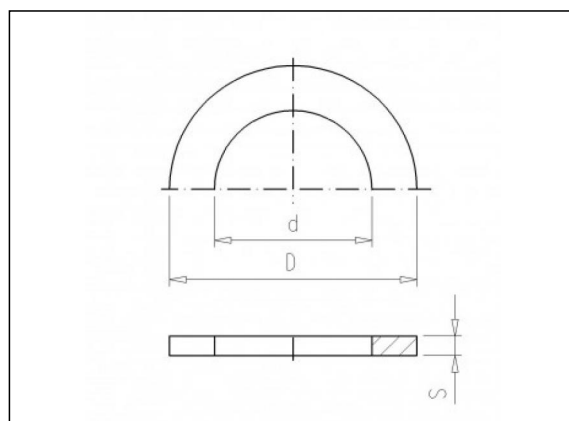
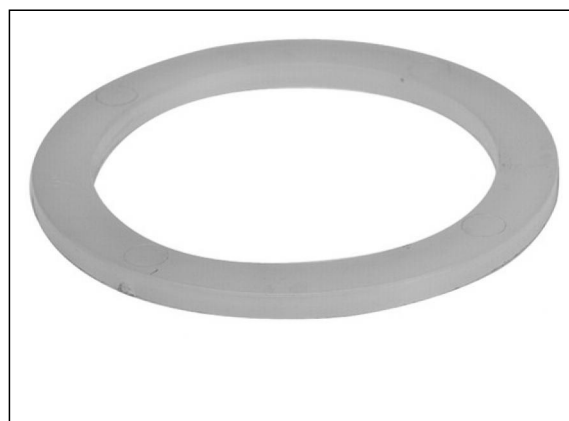
Produktinformationen

Material

- PP = Polypropylen

Herstellung

- Spritzguss



Verfügbare Artikel

ART.CODE	Dia	d	D	S	Verp
8.08.020	3/4"	27	39	3	500
8.08.025	1"	34	47	3	500
8.08.032	1 1/4"	43	58	3	300
8.08.035	1 1/2"	49	65	4	200
8.08.040	1 3/4"	55	72	4	200
8.08.045	2"	61	79	4	100

Van de Lande BV

Lissenveld 1 \ 4941 VK Raamsdonksveer \ The Netherlands \ t +31 (0)162 51 60 00 \ f +31 (0)162 52 14 17 \ sales@vandelande.com
 Traderegister Tilburg: 18070844 \ IBAN: NL13 RABO 0143 0035 26 \ BIC: RABONL2U \ VAT: NL 8123.91.755.B01

ART.CODE	Dia	d	D	S	Verp
8.08.050	2 1/4"	67	86	4	50
8.08.063	2 1/2"	77	95	4	50
8.08.065	2 3/4"	83	106	4	25
8.08.075	3"	90	112	5	40
8.08.090	M113	115	139	5	20
8.08.110	M133	135	160	5	10
8.08.125	M140	140	160	5	10

Van de Lande BV

Lissenveld 1 \ 4941 VK Raamsdonksveer \ The Netherlands \ t +31 (0)162 51 60 00 \ f +31 (0)162 52 14 17 \ sales@vandelande.com
Traderegister Tilburg: 18070844 \ IBAN: NL13 RABO 0143 0035 26 \ BIC: RABONL2U \ VAT: NL 8123.91.755.B01

All our transactions are subject to the Van de Lande General Terms of Sale. A copy of these can be provided immediately upon your request.