

# WIT201 T-Stück 90°

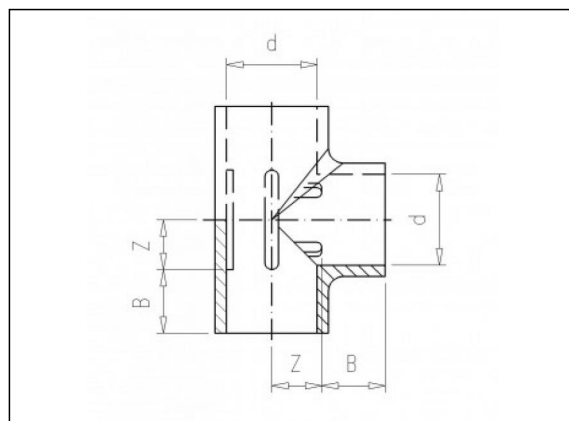
## Produktinformationen

### Material

- PVC-U = Polyvinylchlorid ohne Weichmacher

### Herstellung

- Spritzguss



## Verfügbare Artikel

ART.CODE	d	Z	B	PN	Verp
WIT201020	20	11.5	16	16	150
WIT201025	25	14.5	19	16	250
WIT201033	32	17	22	10	225
WIT201041	40	23	26	10	125
WIT201051	50	27	32	10	75
WIT201063	63	35	38	16	38
WIT201075	75	40	44	16	24
WIT201090	90	48.5	51	16	14
WIT201110	110	59	61	16	7

### Van de Lande BV

Lissenveld 1 \ 4941 VK Raamsdonksveer \ The Netherlands \ t +31 (0)162 51 60 00 \ f +31 (0)162 52 14 17 \ sales@vandelande.com  
Traderegister Tilburg: 18070844 \ IBAN: NL13 RABO 0143 0035 26 \ BIC: RABONL2U \ VAT: NL 8123.91.755.B01

ART.CODE    d        Z        B        PN        Verp

---

**Van de Lande BV**

Lissenveld 1 \ 4941 VK Raamsdonksveer \ The Netherlands \ t +31 (0)162 51 60 00 \ f +31 (0)162 52 14 17 \ sales@vandelande.com  
Traderegister Tilburg: 18070844 \ IBAN: NL13 RABO 0143 0035 26 \ BIC: RABONL2U \ VAT: NL 8123.91.755.B01

All our transactions are subject to the Van de Lande General Terms of Sale. A copy of these can be provided immediately upon your request.