

2.27 Winkel 90°

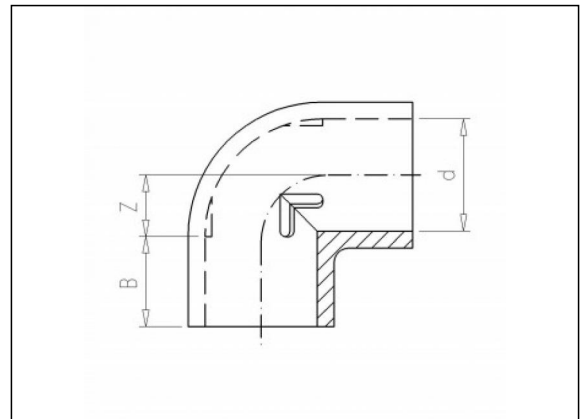
Produktinformationen

Material

- PVC-U = Polyvinylchlorid ohne Weichmacher

Herstellung

- Spritzguss



Verfügbare Artikel

ART.CODE	d	Z	B	PN	Verp
2.25.075	2 1/2	40	44	16	30
2.25.140	5	71	76	16	5
2.27.020	1/2	12	17	16	200
2.27.025	3/4	14.5	20	16	300
2.27.032	1	18.5	23	16	250
2.27.040	1 1/4	24	27	16	150
2.27.050	1 1/2	28.5	30	16	100
2.27.063	2	34.5	36	16	50
2.27.090	3	46	51	16	17

Van de Lande BV

Lispenveld 1 \ 4941 VK Raamsdonksveer \ The Netherlands \ t +31 (0)162 51 60 00 \ f +31 (0)162 52 14 17 \ sales@vandelande.com
Traderegister Tilburg: 18070844 \ IBAN: NL13 RABO 0143 0035 26 \ BIC: RABONL2U \ VAT: NL 8123.91.755.B01

ART.CODE	d	Z	B	PN	Verp
2.27.110	4	57	63	16	12
2.27.160	6	90	91	16	2

Van de Lande BV

Lissenveld 1 \ 4941 VK Raamsdonksveer \ The Netherlands \ t +31 (0)162 51 60 00 \ f +31 (0)162 52 14 17 \ sales@vandelande.com
Traderegister Tilburg: 18070844 \ IBAN: NL13 RABO 0143 0035 26 \ BIC: RABONL2U \ VAT: NL 8123.91.755.B01

All our transactions are subject to the Van de Lande General Terms of Sale. A copy of these can be provided immediately upon your request.