

# 6.65 Rückschlagventil

## Produktinformationen

### Eigenschaften

- Edelstahl

### Material

- PVC-U = Polyvinylchlorid ohne Weichmacher

### Dichtungen

- EPDM

### Herstellung

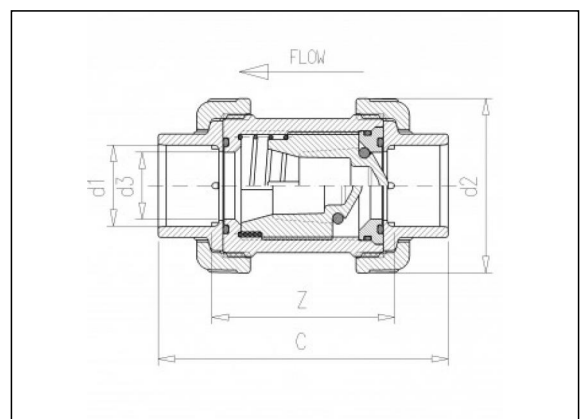
- Spritzguss



## Zubehör



6.27  
Bundbuchse  
Klebumuffe



## Verfügbare Artikel

ART.CODE	d1	d2	d3	Z	C	DN	PN	P	KV	Verp
6.60.075	2 1/2	151	67	164	252	65	10	0.10	1933	5
6.65.020	1/2	59	17	58	91	15	16	0.05	147	50
6.65.025	3/4	64	22	62.5	101.5	20	16	0.05	263	50
6.65.032	1	73	27	75.5	120.5	25	16	0.05	288	50
6.65.040	1 1/4	86	33	90	143	32	16	0.05	682	30
6.65.050	1 1/2	102	40	108	171	40	16	0.05	1052	10
6.65.063	2	124	50	136	210	50	16	0.05	1658	10
6.65.090	3	178.5	83	188	291	80	10	0.1	3166	1
6.65.110	4	215.5	99	220	348	100	10	0.1	4650	1

### Van de Lande BV

Lispenveld 1 \ 4941 VK Raamsdonksveer \ The Netherlands \ t +31 (0)162 51 60 00 \ f +31 (0)162 52 14 17 \ sales@vandelande.com  
 Traderegister Tilburg: 18070844 \ IBAN: NL13 RABO 0143 0035 26 \ BIC: RABONL2U \ VAT: NL 8123.91.755.B01

ART.CODE    d1    d2    d3    Z    C    DN    PN    P    KV    Verp

---

**Van de Lande BV**

Lissenveld 1 \ 4941 VK Raamsdonksveer \ The Netherlands \ t +31 (0)162 51 60 00 \ f +31 (0)162 52 14 17 \ sales@vandelande.com  
Traderegister Tilburg: 18070844 \ IBAN: NL13 RABO 0143 0035 26 \ BIC: RABONL2U \ VAT: NL 8123.91.755.B01

All our transactions are subject to the Van de Lande General Terms of Sale. A copy of these can be provided immediately upon your request.