

# 3.75 2/3 Union

## Product information

### Characteristics

- Straight
- Socket

### Material

- PVC-U = Unplasticised Polyvinylchloride

### Gaskets

- EPDM

### Manufacture

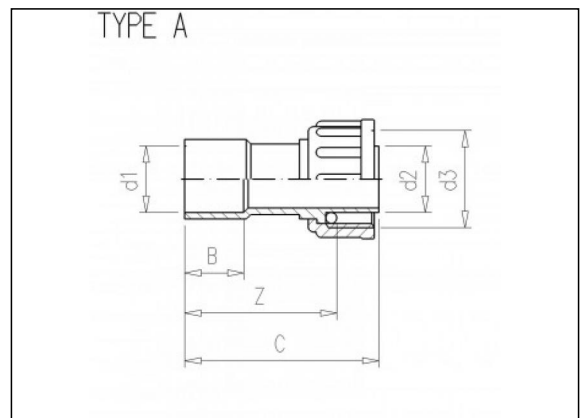
- Injection moulded



## Parts



8.06 O-ring for union



## Available items

ART.CODE	d1	d2	d3	Z	B	C	Type	PN	Verp
3.75.030	32	32	1 1/4 (F)	73	32	90	A	7.5	250
3.75.035	32	32	1 1/4 (F)	73	57	90	B	7.5	250

### Van de Lande BV

Lissenveld 1 \ 4941 VK Raamsdonksveer \ The Netherlands \ t +31 (0)162 51 60 00 \ f +31 (0)162 52 14 17 \ sales@vandelande.com  
 Traderegister Tilburg: 18070844 \ IBAN: NL13 RABO 0143 0035 26 \ BIC: RABONL2U \ VAT: NL 8123.91.755.B01