

# 3.80 Corps

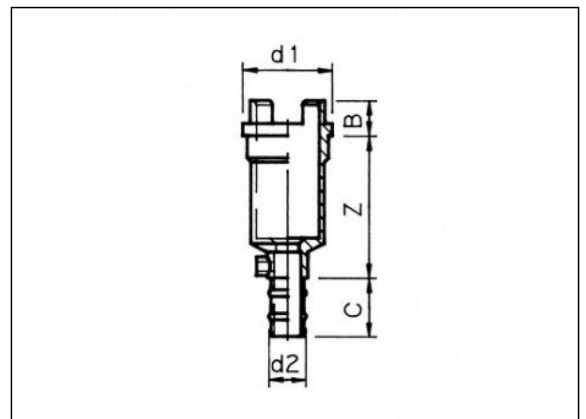
## Product information

**Material**

- PVC-U = Unplasticised Polyvinylchloride

**Manufacture**

- Injection moulded



## Available items

ART.CODE	d1	d2	Z	B	C	Verp
3.80.021	39	16	61	14.5	25	50

**Van de Lande BV**

Lissenveld 1 \ 4941 VK Raamsdonksveer \ The Netherlands \ t +31 (0)162 51 60 00 \ f +31 (0)162 52 14 17 \ sales@vandelande.com  
Traderegister Tilburg: 18070844 \ IBAN: NL13 RABO 0143 0035 26 \ BIC: RABONL2U \ VAT: NL 8123.91.755.B01

All our transactions are subject to the Van de Lande General Terms of Sale. A copy of these can be provided immediately upon your request.