

3.80 Drain valve (spring) with elbow 32 x 1 1/4"

Product information

Characteristics

- With rubber washer
- INOX

Material

- PVC-U = Unplasticised Polyvinylchloride

Gaskets

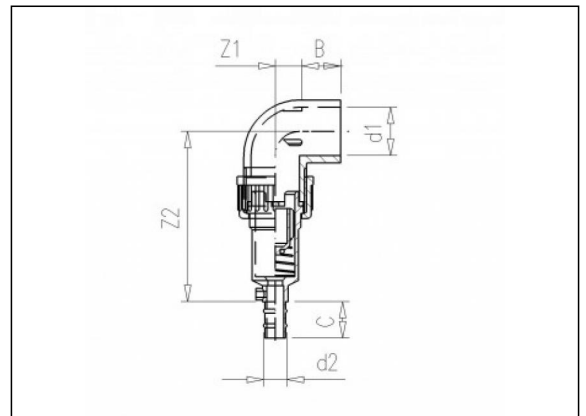
- EPDM

Manufacture

- Injection moulded



Parts



Available items

ART.CODE	d1	d2	Z1	Z2	B	C	PN	Verp
3.80.025	32	16	17	114	22	25	6	150

Van de Lande BV

Lissenveld 1 \ 4941 VK Raamsdonksveer \ The Netherlands \ t +31 (0)162 51 60 00 \ f +31 (0)162 52 14 17 \ sales@vandelande.com
 Traderegister Tilburg: 18070844 \ IBAN: NL13 RABO 0143 0035 26 \ BIC: RABONL2U \ VAT: NL 8123.91.755.B01