

4.40 Adaptor pipe

Product information

Characteristics

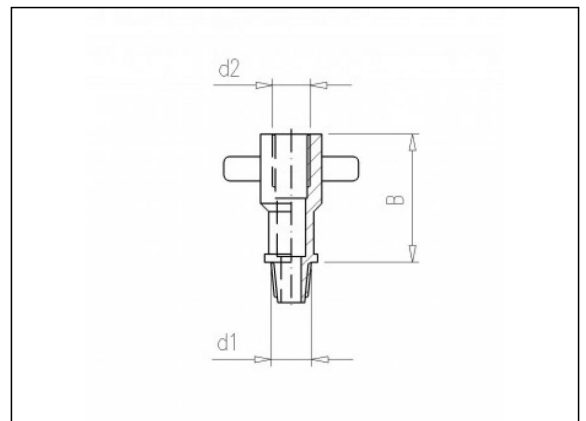
- BSP male thread
- BSP female thread

Material

- PA6

Manufacture

- Injection moulded



Available items

ART.CODE	d1	d2	Description	B	Verp
4.40.050	M11	WW3 /8"	grey/ grijs/ grau/ gris/g ris	30	500

Van de Lande BV

Lissenveld 1 \ 4941 VK Raamsdonksveer \ The Netherlands \ t +31 (0)162 51 60 00 \ f +31 (0)162 52 14 17 \ sales@vandelande.com
 Traderegister Tilburg: 18070844 \ IBAN: NL13 RABO 0143 0035 26 \ BIC: RABONL2U \ VAT: NL 8123.91.755.B01