

4.40 Assembly insert

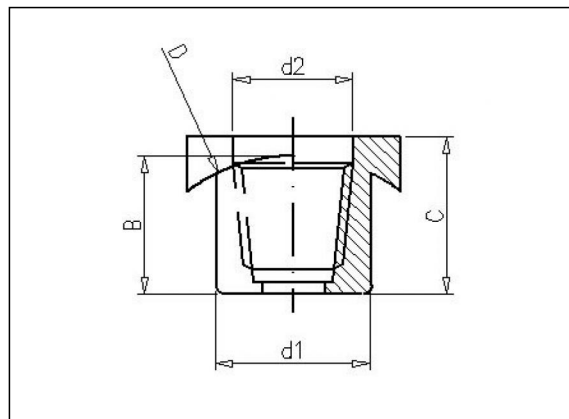
Product information

Characteristics

- BSP female thread

Manufacture

- Injection moulded



Available items

ART.CODE	D	d1	d2	B	C	Verp
4.40.010	32	11.5	WW3 /8"	6	8.5	5000 (20x2 50)

Van de Lande BV

Lissenveld 1 \ 4941 VK Raamsdonksveer \ The Netherlands \ t +31 (0)162 51 60 00 \ f +31 (0)162 52 14 17 \ sales@vandelande.com
 Traderegister Tilburg: 18070844 \ IBAN: NL13 RABO 0143 0035 26 \ BIC: RABONL2U \ VAT: NL 8123.91.755.B01