

# 4.80 Swing adaptor nipple

## Product information

**Material**

- PVC-U = Unplasticised Polyvinylchloride

**Gaskets**

- EPDM

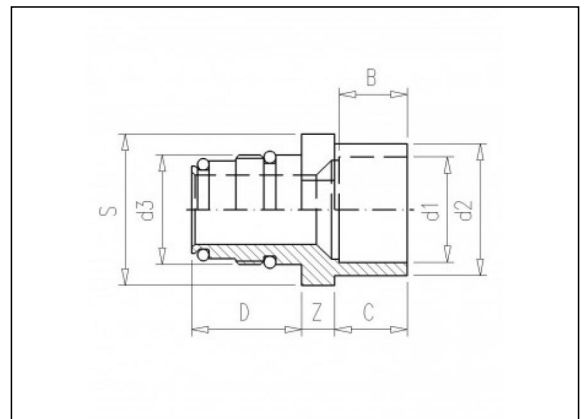
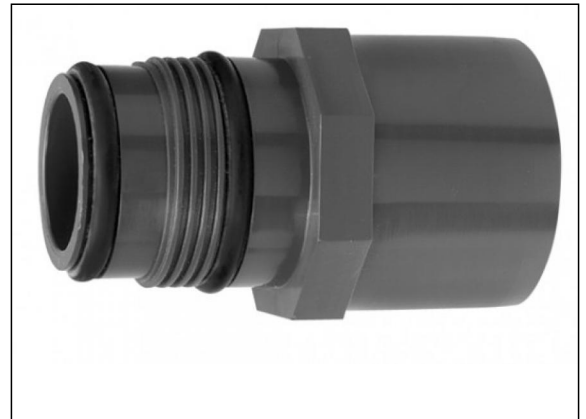
**Manufacture**

- Injection moulded

## Parts



8.06 O-ring



## Available items

ART.CODE	d1	d2	d3	Z	B	C	S	D	PN	Verp
4.80.034	32	40	SWD R 32	10	22	26	46	34	10	100
4.80.052	50	63	SWD R 50	11	31	44	64	50	10	50

**Van de Lande BV**

Lissenveld 1 \ 4941 VK Raamsdonksveer \ The Netherlands \ t +31 (0)162 51 60 00 \ f +31 (0)162 52 14 17 \ sales@vandelande.com  
 Traderegister Tilburg: 18070844 \ IBAN: NL13 RABO 0143 0035 26 \ BIC: RABONL2U \ VAT: NL 8123.91.755.B01