

5.16 PP Table duct

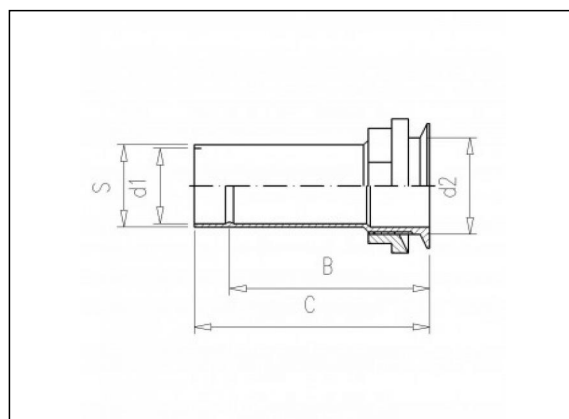
Product information

Material

- PP = Polypropylene

Manufacture

- Injection moulded



Available items

ART.CODE	d1	d2	B	C	S	Verp
5.16.033	32	1 1/4" (M)	90	104	50	175

Van de Lande BV

Lissenveld 1 \ 4941 VK Raamsdonksveer \ The Netherlands \ t +31 (0)162 51 60 00 \ f +31 (0)162 52 14 17 \ sales@vandelande.com
 Traderegister Tilburg: 18070844 \ IBAN: NL13 RABO 0143 0035 26 \ BIC: RABONL2U \ VAT: NL 8123.91.755.B01