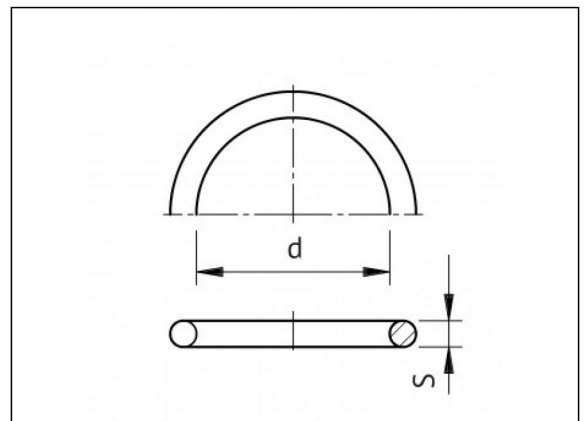
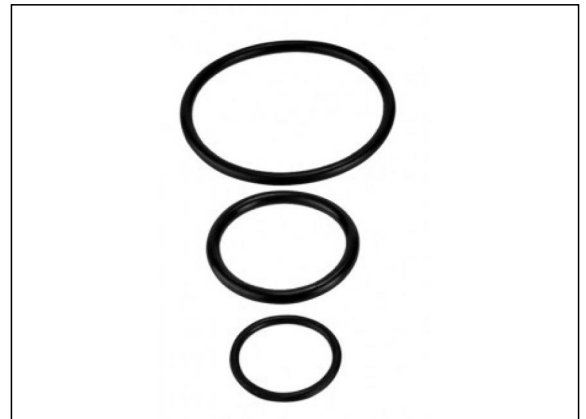


8.06 O-ring

Product information

Gaskets
- EPDM



Available items

ART.CODE	Description	D	S	Verp
8.06.021	Swing 32	23.39	3.53	1000
8.06.025	Swing 32	28.17	3.53	500
8.06.035	Swing 50	37.47	5.33	300
8.06.040	Swing 50		5.33	300

Van de Lande BV

Lissenveld 1 \ 4941 VK Raamsdonksveer \ The Netherlands \ t +31 (0)162 51 60 00 \ f +31 (0)162 52 14 17 \ sales@vandelande.com
 Traderegister Tilburg: 18070844 \ IBAN: NL13 RABO 0143 0035 26 \ BIC: RABONL2U \ VAT: NL 8123.91.755.B01