

# 4.10 PE cap

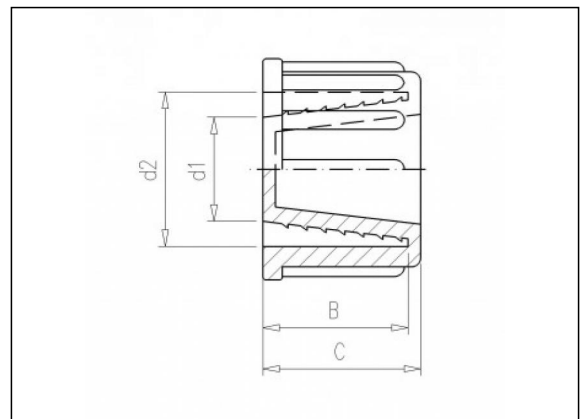
## Product information

**Material**

- PP = Polypropylene

**Manufacture**

- Injection moulded



## Available items

ART.CODE	d1	d2	B	C	Verp
4.10.016	10	16	17	20	500
4.10.020	12	20	18	21	500
4.10.025	17	25	21	24	250

**Van de Lande BV**

Lissenveld 1 \ 4941 VK Raamsdonksveer \ The Netherlands \ t +31 (0)162 51 60 00 \ f +31 (0)162 52 14 17 \ sales@vandelande.com  
Traderegister Tilburg: 18070844 \ IBAN: NL13 RABO 0143 0035 26 \ BIC: RABONL2U \ VAT: NL 8123.91.755.B01