

6.00 Ball-valve for substrate

Product information

Material

- PVC-U (Unplasticised Polyvinylchloride) and PP = Polypropylene

Gaskets

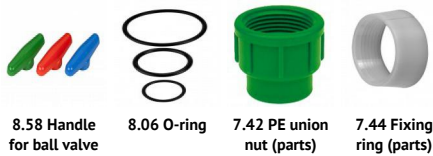
- EPDM

Manufacture

- Injection moulded



Parts

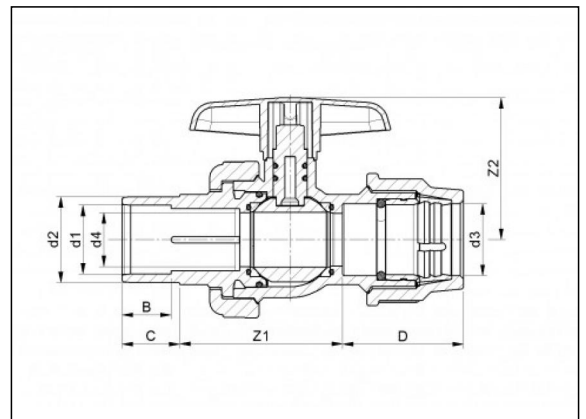


8.58 Handle for ball valve

8.06 O-ring

7.42 PE union nut (parts)

7.44 Fixing ring (parts)



Available items

ART.CODE	d1	d2	d3	d4	Z1	Z2	B	C	D	DN	PN	Verp
6.00.016	25	32	16	20	71	57	19	22	42	20	10	50
6.00.020	25	32	20	20	69	57	19	22	47	20	10	50
6.00.025	25	32	25	20	66	57	19	22	51	20	10	50
6.00.032	32	40	32	25	76	65	23	27	57	25	10	25

Van de Lande BV

Lissenveld 1 \ 4941 VK Raamsdonksveer \ The Netherlands \ t +31 (0)162 51 60 00 \ f +31 (0)162 52 14 17 \ sales@vandelande.com
 Traderegister Tilburg: 18070844 \ IBAN: NL13 RABO 0143 0035 26 \ BIC: RABONL2U \ VAT: NL 8123.91.755.B01