

# 7.16 PE Tee

## Product information

### Material

- PP = Polypropylene

### Gaskets

- EPDM

### Manufacture

- Injection moulded

## Parts



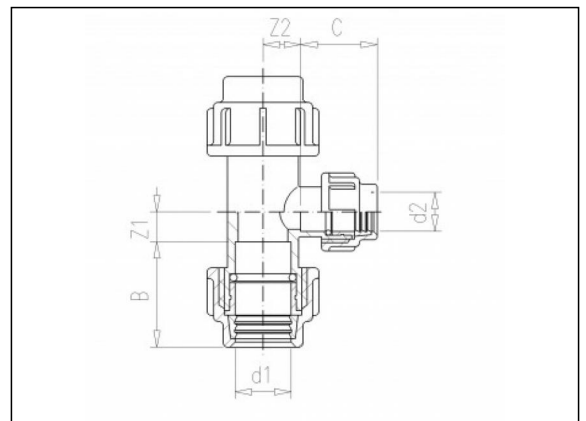
8.06 O-ring



7.42 PE union nut (parts)



7.44 Fixing ring (parts)



## Available items

ART.CODE	d1	d2	Z1	Z2	B	C	PN	Verp
7.16.020*	20	16	11	11	47	42	16	50
7.16.024*	25	16	14	14	51	42	16	50
7.16.025*	25	20	14	14	51	47	16	50
7.16.032*	32	25	18	22	57	48	16	50
7.16.040*	40	32	23	25	62	57	16	25
7.16.050	50	40	36	39	92	72	16	8
7.16.063	63	50	40	36	100	98	16	5
7.16.075	75	63	38	40	122	106	10	4

### Van de Lande BV

Lissenveld 1 \ 4941 VK Raamsdonksveer \ The Netherlands \ t +31 (0)162 51 60 00 \ f +31 (0)162 52 14 17 \ sales@vandelande.com  
 Traderegister Tilburg: 18070844 \ IBAN: NL13 RABO 0143 0035 26 \ BIC: RABONL2U \ VAT: NL 8123.91.755.B01