

# 7.21 PVC/PE elbow

## Product information

### Material

- PVC-U (Unplasticised Polyvinylchloride) and PP = Polypropylene

### Gaskets

- EPDM

### Manufacture

- Injection moulded



## Parts



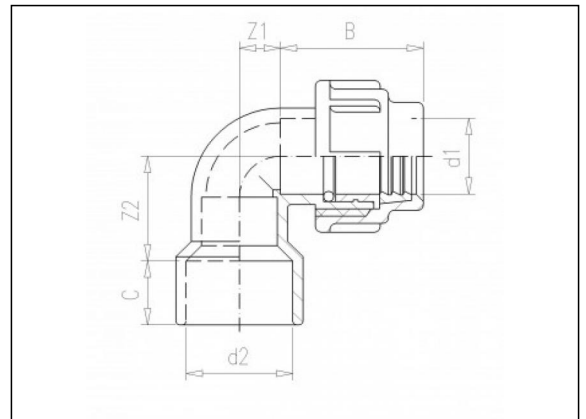
8.06 O-ring



7.42 PE union nut (parts)



7.44 Fixing ring (parts)



## Available items

ART.CODE	d1	d2	Z1	Z2	B	C	PN	Verp
7.21.015	16	25	14	36	42	19	10	200
7.21.016	16	32	14	34	42	22	10	200
7.21.019	20	25	14	36	47	19	10	200
7.21.020	20	32	14	34	47	22	10	200
7.21.024	25	25	14	36	51	19	10	150
7.21.025	25	32	14	34	51	22	10	200

### Van de Lande BV

Lissenveld 1 \ 4941 VK Raamsdonksveer \ The Netherlands \ t +31 (0)162 51 60 00 \ f +31 (0)162 52 14 17 \ sales@vandelande.com  
 Traderegister Tilburg: 18070844 \ IBAN: NL13 RABO 0143 0035 26 \ BIC: RABONL2U \ VAT: NL 8123.91.755.B01