

7.30 PE coupling

Product information

Material

- PP = Polypropylene

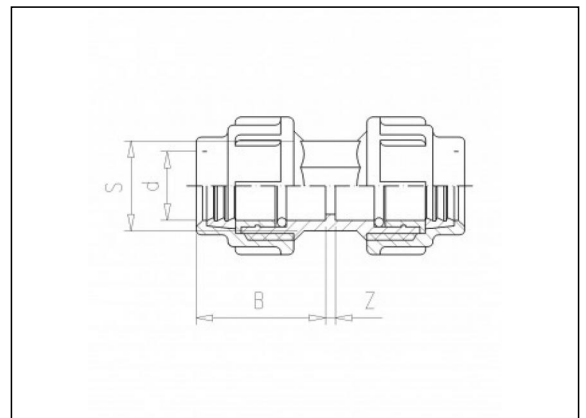
Gaskets

- EPDM

Manufacture

- Injection moulded

Parts



Available items

ART.CODE	d1	Z	B	S	PN	Verp
7.30.016*	16	3	42	24	16	175
7.30.020*	20	3	47	27	16	175
7.30.025*	25	3	51	33	16	175
7.30.032*	32	4	57	42	16	100
7.30.040*	40	4	62	51	16	50
7.30.050	50	8	89	-	16	20
7.30.063	63	10	105	-	16	11
7.30.075	75	5	122	-	16	8
7.30.090	90	6	173	-	10	2

Van de Lande BV

Lissenveld 1 \ 4941 VK Raamsdonksveer \ The Netherlands \ t +31 (0)162 51 60 00 \ f +31 (0)162 52 14 17 \ sales@vandelande.com
 Traderegister Tilburg: 18070844 \ IBAN: NL13 RABO 0143 0035 26 \ BIC: RABONL2U \ VAT: NL 8123.91.755.B01

ART.CODE	d1	Z	B	S	PN	Verp
7.30.110	110	7	204	-	10	2

Van de Lande BV

Lissenveld 1 \ 4941 VK Raamsdonksveer \ The Netherlands \ t +31 (0)162 51 60 00 \ f +31 (0)162 52 14 17 \ sales@vandelande.com
Traderegister Tilburg: 18070844 \ IBAN: NL13 RABO 0143 0035 26 \ BIC: RABONL2U \ VAT: NL 8123.91.755.B01

All our transactions are subject to the Van de Lande General Terms of Sale. A copy of these can be provided immediately upon your request.