

7.33 PE end part

Product information

Characteristics

- With rubber washer

Material

- PVC-U (Unplasticised polyvinylchloride) and PE (Polyethylene)

Gaskets

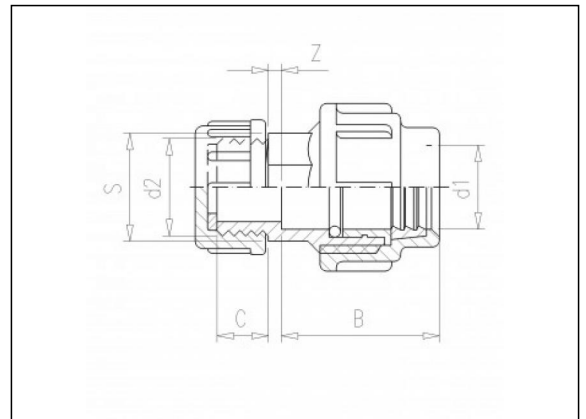
- EPDM

Manufacture

- Injection moulded



Parts



Available items

ART.CODE	d1	d2	Z	B	C	S	PN	Verp
7.33.016	16	1/2"	4	42	17	24	10	250
7.33.020	20	3/4"	4	47	18	27	10	250
7.33.025	25	3/4"	4	51	17	33	10	175
7.33.032	32	1"	5	57	21	42	10	125
7.33.040	40	1 1/4"	6	62	23	51	10	100
7.33.050	50	1 1/2"	12	98	26	-	10	24
7.33.063	63	2"	11	110	25	-	10	18

Van de Lande BV

Lissenveld 1 \ 4941 VK Raamsdonksveer \ The Netherlands \ t +31 (0)162 51 60 00 \ f +31 (0)162 52 14 17 \ sales@vandelande.com
 Traderegister Tilburg: 18070844 \ IBAN: NL13 RABO 0143 0035 26 \ BIC: RABONL2U \ VAT: NL 8123.91.755.B01

ART.CODE	d1	d2	Z	B	C	S	PN	Verp
7.33.075	75	2 1/2"	8	124	34	-	10	13
7.33.090	90	3"	13	180	37	-	10	5
7.33.110	110	4"	8	220	40	-	6	2

Van de Lande BV

Lissenveld 1 \ 4941 VK Raamsdonksveer \ The Netherlands \ t +31 (0)162 51 60 00 \ f +31 (0)162 52 14 17 \ sales@vandelande.com
Traderegister Tilburg: 18070844 \ IBAN: NL13 RABO 0143 0035 26 \ BIC: RABONL2U \ VAT: NL 8123.91.755.B01

www.vandelande.com

All our transactions are subject to the Van de Lande General Terms of Sale. A copy of these can be provided immediately upon your request.