

7.34 PE coupling

Product information

Characteristics

- BSP female thread

Material

- PP = Polypropylene

Gaskets

- EPDM

Manufacture

- Injection moulded



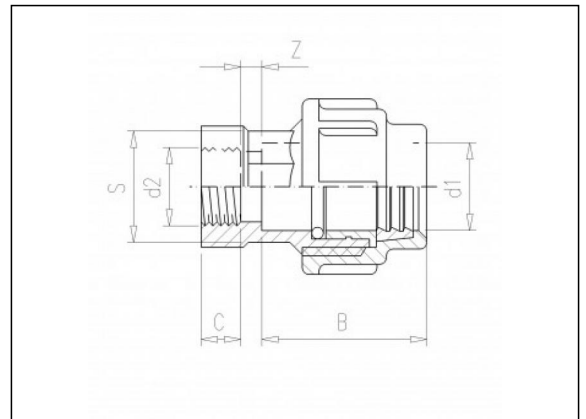
Parts



8.06 O-ring

7.42 PE union nut (parts)

7.44 Fixing ring (parts)



Available items

ART.CODE	d1	d2	Z	B	C	S	PN	Verp
7.34.016	16	3/8" (F)	3	42	13	24	10	200
7.34.017	16	1/2" (F)	4	42	17	24	10	200
7.34.020	20	3/8" (F)	4	47	13	27	10	200
7.34.021	20	1/2" (F)	3	47	17	27	10	200
7.34.022	20	3/4" (F)	6	47	18	27	10	200

Van de Lande BV

Lissenveld 1 \ 4941 VK Raamsdonksveer \ The Netherlands \ t +31 (0)162 51 60 00 \ f +31 (0)162 52 14 17 \ sales@vandelande.com
 Traderegister Tilburg: 18070844 \ IBAN: NL13 RABO 0143 0035 26 \ BIC: RABONL2U \ VAT: NL 8123.91.755.B01

ART.CODE	d1	d2	Z	B	C	S	PN	Verp
7.34.025	25	1/2" (F)	4	51	16	33	10	200
7.34.026	25	3/4" (F)	3	51	18	33	10	200
7.34.027	25	1" (F)	8	51	21	33	10	175
7.34.031	32	1/2" (F)	4	57	17	42	10	175
7.34.032	32	3/4" (F)	4	57	18	42	10	175
7.34.033	32	1" (F)	4	57	21	42	10	175
7.34.034	32	1 1/4" (F)	10	57	23	42	10	100
7.34.040	40	1" (F)	5	61	21	51	10	75
7.34.041	40	1 1/4" (F)	5	61	23	51	10	75
7.34.042	40	1 1/2" (F)	11	61	23	51	10	100

Van de Lande BV

Lissenveld 1 \ 4941 VK Raamsdonksveer \ The Netherlands \ t +31 (0)162 51 60 00 \ f +31 (0)162 52 14 17 \ sales@vandelande.com
 Traderegister Tilburg: 18070844 \ IBAN: NL13 RABO 0143 0035 26 \ BIC: RABONL2U \ VAT: NL 8123.91.755.B01

www.vandelande.com

All our transactions are subject to the Van de Lande General Terms of Sale. A copy of these can be provided immediately upon your request.