

7.38 PE fitting cap

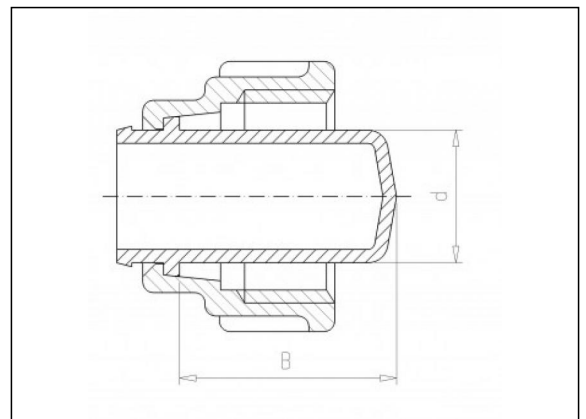
Product information

Material

- PP = Polypropylene

Manufacture

- Injection moulded



Available items

ART.CODE	d	B	Verp
7.38.016	16	33	250
7.38.020	20	41	250
7.38.025	25	41	250
7.38.032	32	47	125
7.38.040	40	51	75

Van de Lande BV

Lissenveld 1 \ 4941 VK Raamsdonksveer \ The Netherlands \ t +31 (0)162 51 60 00 \ f +31 (0)162 52 14 17 \ sales@vandelande.com
Traderegister Tilburg: 18070844 \ IBAN: NL13 RABO 0143 0035 26 \ BIC: RABONL2U \ VAT: NL 8123.91.755.B01