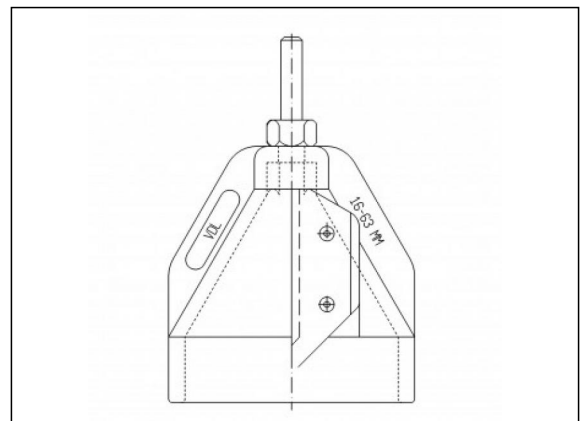


7.49 Chamfering tool

Product information

Manufacture

- Injection moulded



Available items

ART.CODE	Dia	Verp
----------	-----	------

7.49.010	16-63	10
----------	-------	----

Van de Lande BV

Lissenveld 1 \ 4941 VK Raamsdonksveer \ The Netherlands \ t +31 (0)162 51 60 00 \ f +31 (0)162 52 14 17 \ sales@vandelande.com
Traderegister Tilburg: 18070844 \ IBAN: NL13 RABO 0143 0035 26 \ BIC: RABONL2U \ VAT: NL 8123.91.755.B01