

# PVC-C Ball valve

## Product information

### Material

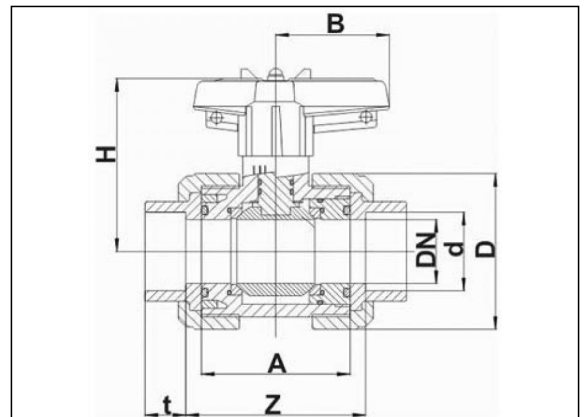
- PVC-C = Polyvinylchloride post chlorinated

### Gaskets

- VITON®
- EPDM

### Manufacture

- Injection moulded



## Available items

ART.CODE	d	DN	B	A	D	H	Z	T	PN	Verp
7025302001	20	15	40	62	53	72	67	16.5	16	10
7025302501	25	20	51.5	70	62.5	78.5	76	19.5	16	10
7025303201	32	25	51.5	73.5	70	81.5	82	22.5	16	10
7025304001	40	32	64	83.5	84.5	100	91	26.5	16	5
7025305001	50	40	73	94.5	100	107.5	105	31.5	16	4
7025306301	63	50	85	108	124	116.5	120	38.5	16	6

### Van de Lande BV

Lissenveld 1 \ 4941 VK Raamsdonksveer \ The Netherlands \ t +31 (0)162 51 60 00 \ f +31 (0)162 52 14 17 \ sales@vandelande.com  
 Traderegister Tilburg: 18070844 \ IBAN: NL13 RABO 0143 0035 26 \ BIC: RABONL2U \ VAT: NL 8123.91.755.B01