

PVC-C Union

Product information

Material

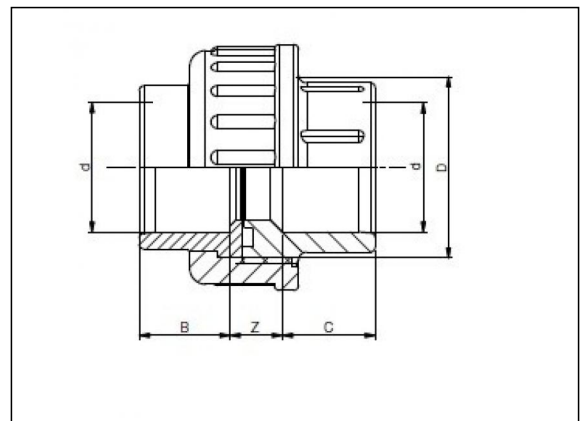
- PVC-C = Polyvinylchloride post chlorinated

Gaskets

- EPDM

Manufacture

- Injection moulded



Available items

ART.CODE	d	Z	B	C	D	PN	Verp
7020102001	20	14	16	16	1"	16	100
7020102501	25	14	19	19	1 1/4"	16	60
7020103201	32	14	22	23	1 1/2"	16	150
7020104001	40	16	26	27	2"	16	100
7020105001	50	18	31	32	2 1/4"	16	60
7020106301	63	22	38	38	2 3/4"	16	45

Van de Lande BV

Lissenveld 1 \ 4941 VK Raamsdonksveer \ The Netherlands \ t +31 (0)162 51 60 00 \ f +31 (0)162 52 14 17 \ sales@vandelande.com
 Traderegister Tilburg: 18070844 \ IBAN: NL13 RABO 0143 0035 26 \ BIC: RABONL2U \ VAT: NL 8123.91.755.B01