

2.06 Tee 45°

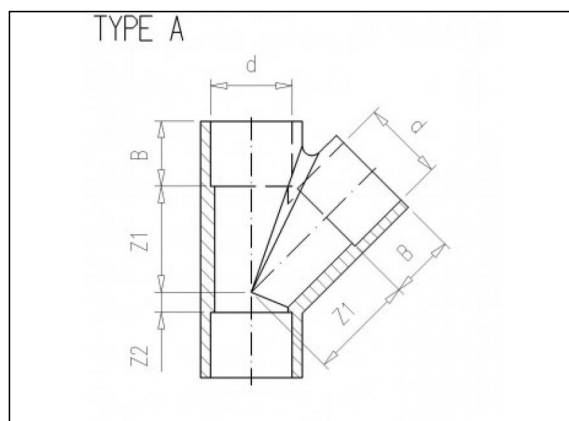
Product information

Material

- PVC-U = Unplasticised Polyvinylchloride

Manufacture

- Injection moulded



Available items

ART.CODE	d	Z1	Z2	B	Type	PN	Verp
2.06.090	3	121	20	51	A	10	9
2.06.110	4	147	20	63	B	10	4
2.06.160	6	224	43	91	B	10	1
2.08.075	2 1/2	102	17	44	A	10	16
2.08.140	5	190	34	76	A	10	2

Van de Lande BV

Lissenveld 1 \ 4941 VK Raamsdonksveer \ The Netherlands \ t +31 (0)162 51 60 00 \ f +31 (0)162 52 14 17 \ sales@vandelande.com
 Traderegister Tilburg: 18070844 \ IBAN: NL13 RABO 0143 0035 26 \ BIC: RABONL2U \ VAT: NL 8123.91.755.B01