

# 3.16 Adaptor nipple

## Product information

### Characteristics

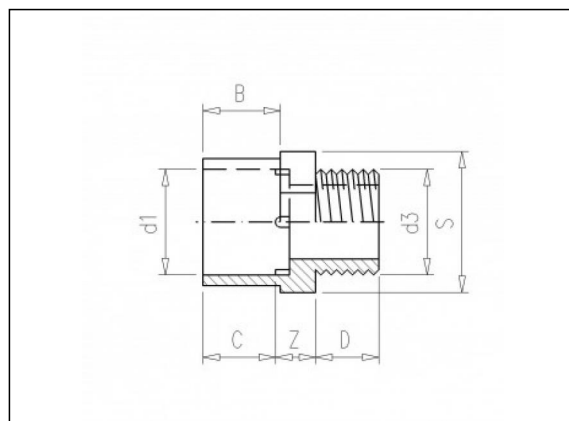
- BSP male thread

### Material

- PVC-U = Unplasticised Polyvinylchloride

### Manufacture

- Injection moulded



## Available items

ART.CODE	d1	d3	Z	B	C	D	S	PN	Verp
3.15.150	2 1/2	2 (M)	26	51	44	26	95	16	48
3.15.155	2 1/2	2 1/2 (M)	27	51	44	30	95	16	48
3.16.050	1/2	1/2 (M)	6	14	17	16	32	16	50
3.16.055	1/2	3/4 (M)	6	14	17	17	32	16	50
3.16.065	3/4	3/4 (M)	12	22	20	17	46	16	50
3.16.070	3/4	1 (M)	9	22	23	21	46	16	50

### Van de Lande BV

Lissenveld 1 \ 4941 VK Raamsdonksveer \ The Netherlands \ t +31 (0)162 51 60 00 \ f +31 (0)162 52 14 17 \ sales@vandelande.com  
 Traderegister Tilburg: 18070844 \ IBAN: NL13 RABO 0143 0035 26 \ BIC: RABONL2U \ VAT: NL 8123.91.755.B01

ART.CODE	d1	d3	Z	B	C	D	S	PN	Verp
3.16.085	1	1 (M)	9	22	23	21	46	16	50
3.16.090	1	1 1/4 (M)	9	22	23	23	46	16	50
3.16.100	1 1/4	1 1/4 (M)	9	26	28	23	55	16	50
3.16.105	1 1/4	1 1/2 (M)	9	26	28	23	55	16	50
3.16.120	1 1/2	1 1/2 (M)	12	31	31	23	65	16	150
3.16.125	1 1/2	2 (M)	12	31	31	27	65	16	150
3.16.135	2	1 1/2 (M)	13	44	36	23	80	16	120
3.16.140	2	2 (M)	13	44	36	27	80	16	120

**Van de Lande BV**

Lissenveld 1 \ 4941 VK Raamsdonksveer \ The Netherlands \ t +31 (0)162 51 60 00 \ f +31 (0)162 52 14 17 \ sales@vandelande.com  
Traderegister Tilburg: 18070844 \ IBAN: NL13 RABO 0143 0035 26 \ BIC: RABONL2U \ VAT: NL 8123.91.755.B01

[www.vandelande.com](http://www.vandelande.com)

All our transactions are subject to the Van de Lande General Terms of Sale. A copy of these can be provided immediately upon your request.