

3.61 Adaptor union

Product information

Material

- PVC-U = Unplasticised Polyvinylchloride

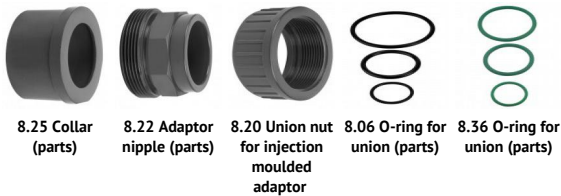
Gaskets

- EPDM

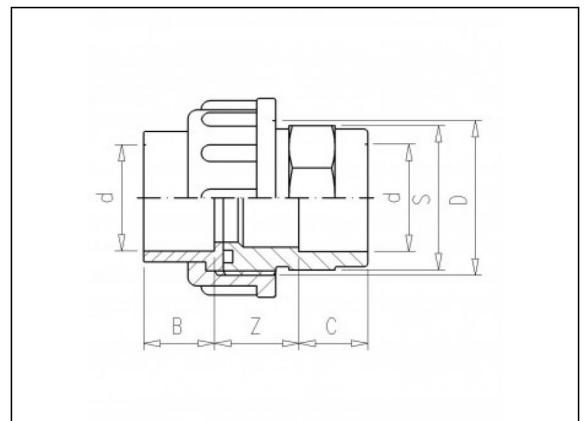
Manufacture

- Injection moulded

Parts



8.25 Collar (parts) 8.22 Adaptor nipple (parts) 8.20 Union nut for injection moulded adaptor 8.06 O-ring for union (parts) 8.36 O-ring for union (parts)



Available items

ART.CODE	d	Z	B	C	D	S	PN	Verp
3.60.075	2 1/2	28	44	44	ZGTD	94	10	25
3.61.020	1/2	23	17	17	1"	30	16	100
3.61.025	3/4	21	20	20	1 1/4"	36	16	60
3.61.032	1	22	23	23	1 1/2"	44	16	100
3.61.040	1 1/4	21	28	28	2"	54	16	100
3.61.050	1 1/2	24	30	31	2 1/4"	64	16	60

Van de Lande BV

Lissenveld 1 \ 4941 VK Raamsdonksveer \ The Netherlands \ t +31 (0)162 51 60 00 \ f +31 (0)162 52 14 17 \ sales@vandelande.com
 Traderegister Tilburg: 18070844 \ IBAN: NL13 RABO 0143 0035 26 \ BIC: RABONL2U \ VAT: NL 8123.91.755.B01

ART.CODE	d	Z	B	C	D	S	PN	Verp
3.61.063	2	24	36	36	2 3/4"	80	16	50
3.61.090	3	34	51	51	ZGTD	114	10	10
3.61.110	4	32	63	63	ZGTD	138	10	10

Van de Lande BV

Lissenveld 1 \ 4941 VK Raamsdonksveer \ The Netherlands \ t +31 (0)162 51 60 00 \ f +31 (0)162 52 14 17 \ sales@vandelande.com
Traderegister Tilburg: 18070844 \ IBAN: NL13 RABO 0143 0035 26 \ BIC: RABONL2U \ VAT: NL 8123.91.755.B01

All our transactions are subject to the Van de Lande General Terms of Sale. A copy of these can be provided immediately upon your request.