

3.71 Adaptor union

Product information

Characteristics

- BSP male thread

Material

- PVC-U = Unplasticised Polyvinylchloride

Gaskets

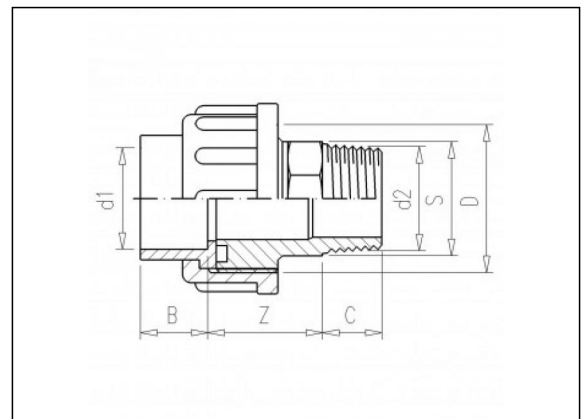
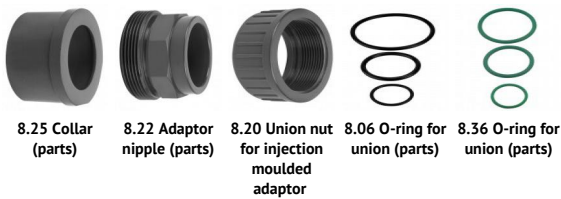
- EPDM

Manufacture

- Injection moulded



Parts



Available items

ART.CODE	d1	d2	Z	B	C	D	S	PN	Verp
3.70.075	2 1/2	2 1/2" (M)	56	44	34	ZGTD	94	10	25
3.71.020	1/2	1/2" (M)	31	17	17	1"	28	16	100
3.71.025	3/4	3/4" (M)	33	20	17	1 1/4"	32	16	60
3.71.032	1	1" (M)	34	23	22	1 1/2"	38	16	100

Van de Lande BV

Lissenveld 1 \ 4941 VK Raamsdonksveer \ The Netherlands \ t +31 (0)162 51 60 00 \ f +31 (0)162 52 14 17 \ sales@vandelande.com
 Traderegister Tilburg: 18070844 \ IBAN: NL13 RABO 0143 0035 26 \ BIC: RABONL2U \ VAT: NL 8123.91.755.B01

ART.CODE	d1	d2	Z	B	C	D	S	PN	Verp
3.71.040	1 1/4	1 1/4" (M)	38	28	24	2"	46	16	80
3.71.050	1 1/2	1 1/2" (M)	42	30	24	2 1/4"	55	16	60
3.71.063	2	2" (M)	46	36	28	2 3/4"	65	16	45
3.71.090	3	3" (M)	68	51	37	ZGTD	114	10	10
3.71.110	4	4" (M)	74	63	43	ZGTD	138	10	10

Van de Lande BV

Lissenveld 1 \ 4941 VK Raamsdonksveer \ The Netherlands \ t +31 (0)162 51 60 00 \ f +31 (0)162 52 14 17 \ sales@vandelande.com
Traderegister Tilburg: 18070844 \ IBAN: NL13 RABO 0143 0035 26 \ BIC: RABONL2U \ VAT: NL 8123.91.755.B01

www.vandelande.com

All our transactions are subject to the Van de Lande General Terms of Sale. A copy of these can be provided immediately upon your request.